

z e n s

Liberty built-in

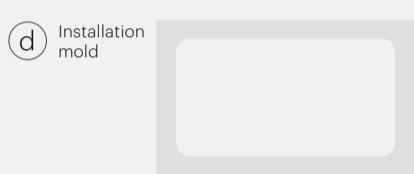
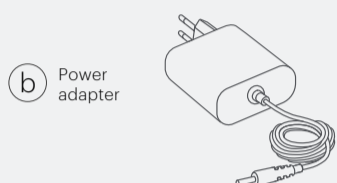
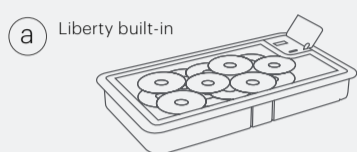
Installation guide

www.makezens.com

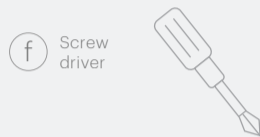
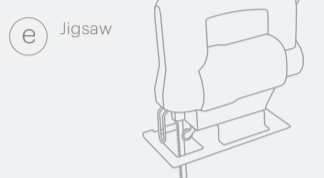


All rights reserved. Zens is a trademark of Zens B.V.
Designed in the Netherlands. Assembled in China.
Zens B.V., High Tech Campus 85, 5656 AG Eindhoven, NL

Included items

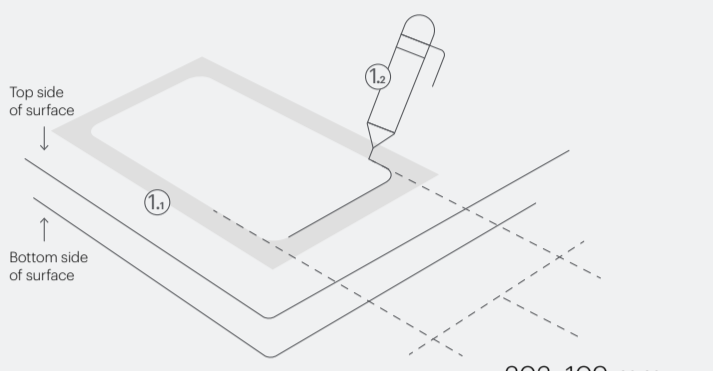


Required tools (not included)



Page 1 | Liberty installation guide

1



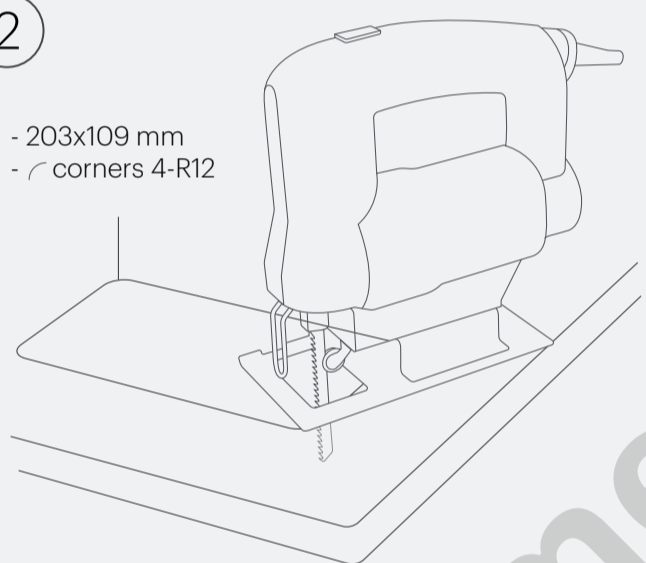
1. Position the mold on the top side of the surface.
2. Draw the shape to indicate the position of the charger.

Page 2 | Liberty installation guide

Empowering
Freedom

2

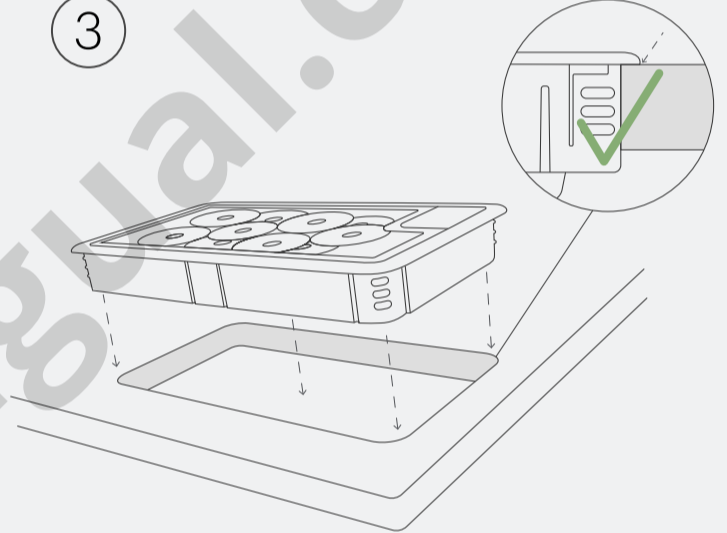
- 203x109 mm
- corners 4-R12



Use the jigsaw and follow the drawn lines to cut out the correct shape.

Page 3 | Liberty installation guide

3

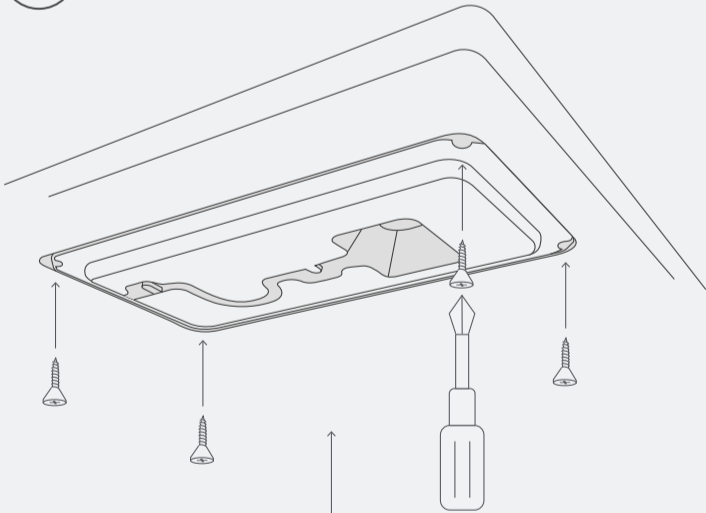


Insert the Liberty in the opening from above.
Important: Leave no gap between product and surface.

Page 4 | Liberty installation guide

Empowering
Freedom

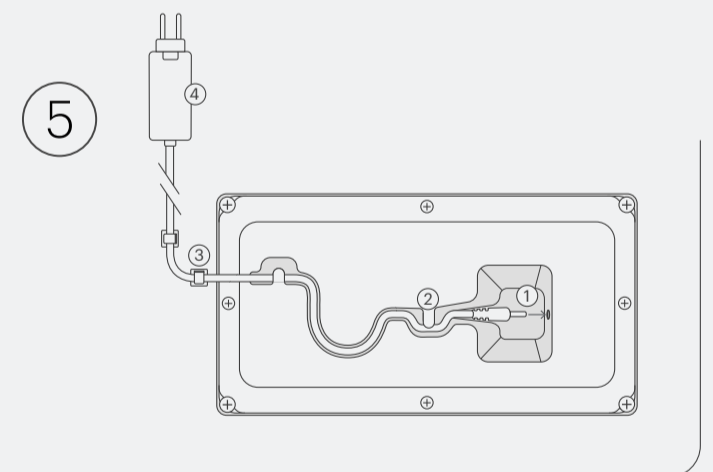
4



Use the four screws to fasten the Liberty built-in in the recess.

Page 5 | Liberty installation guide

5

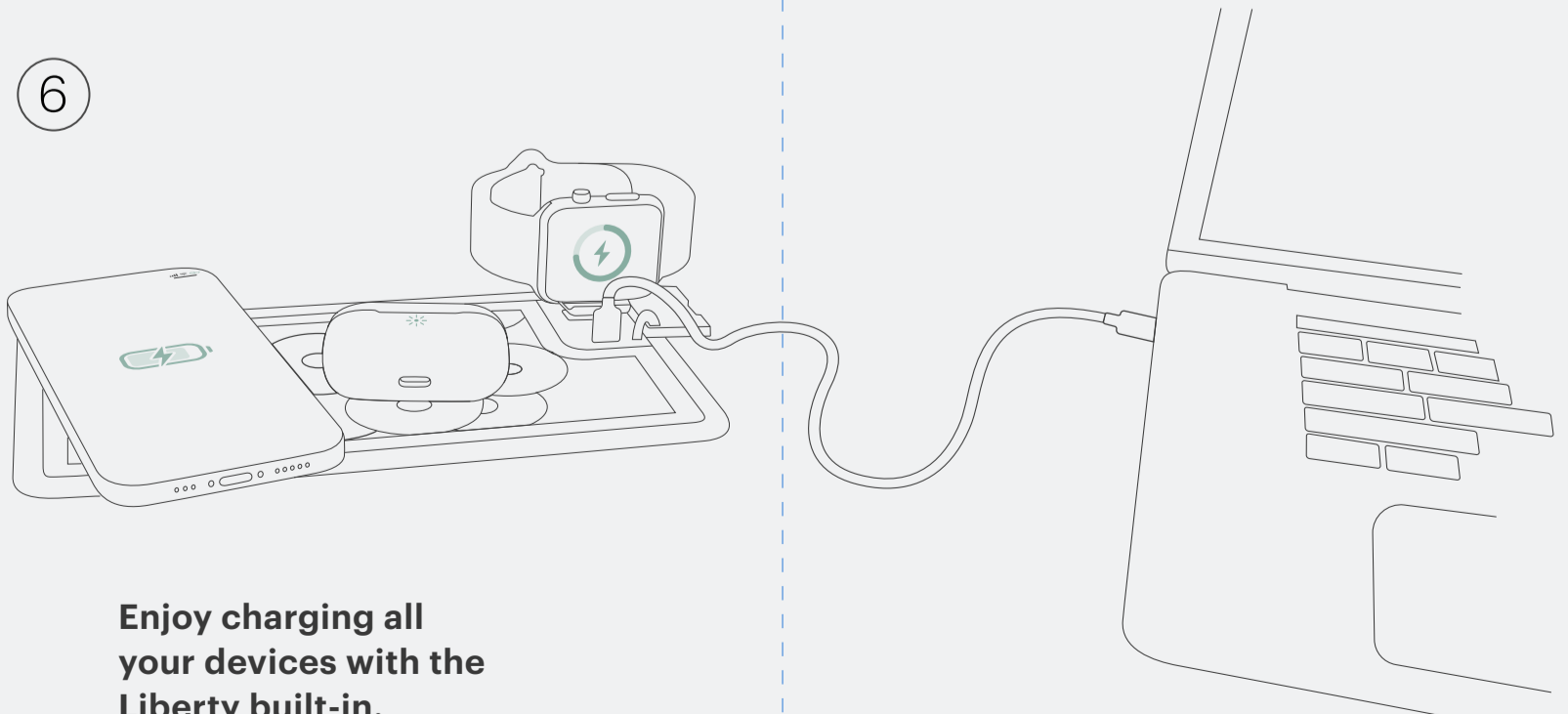


- 1 Connect the adapter cable to the input of the Liberty built-in.
- 2 Secure the cable in the cable tray of the Liberty built-in.
- 3 Use the cable clips to neatly secure the cable on the surface.
- 4 Connect the power adapter to the nearest power socket.

Page 6 | Liberty installation guide

Empowering
Freedom

6



Enjoy charging all your devices with the Liberty built-in.

Page 7 | Liberty installation guide

Page 8 | Liberty installation guide

Empowering
Freedom