

LAMP

2021 TYPE FLUSH SLIDING DOOR SYSTEM With two-way Damper

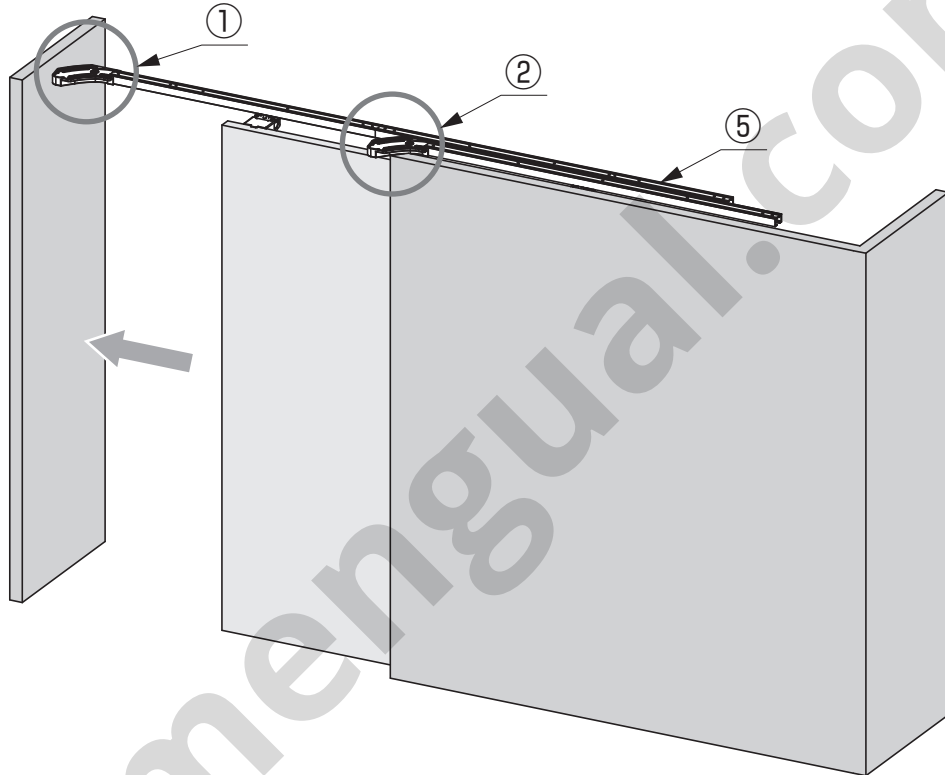
MonoFlat UNISON.

MFU1200 Mounting template

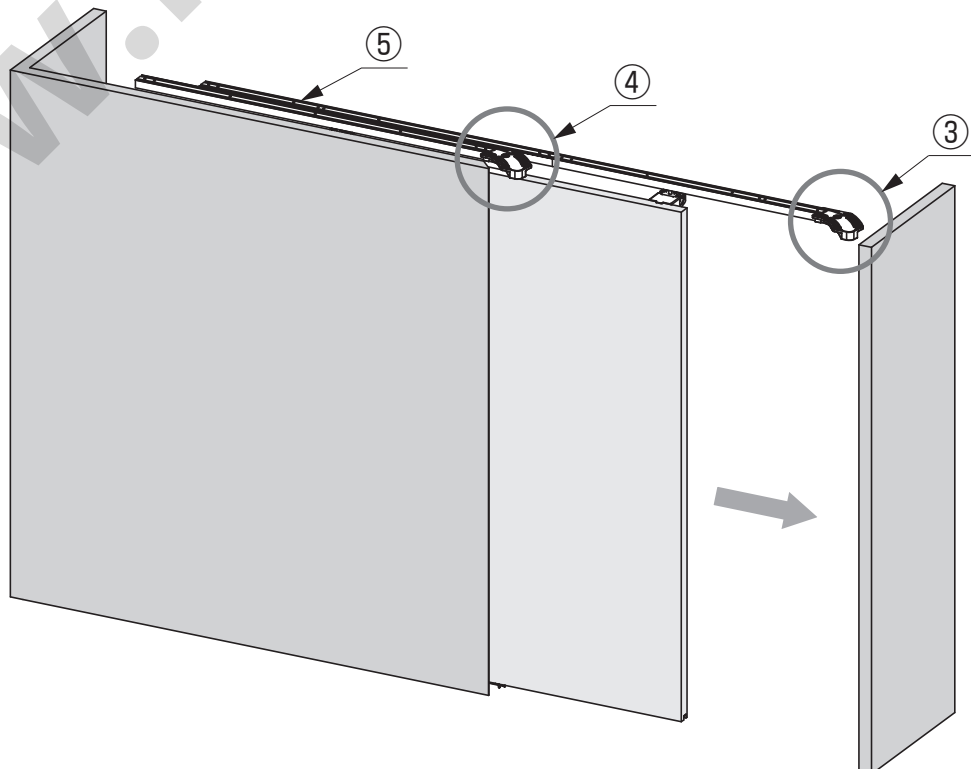
ABOUT MOUNTING TEMPALTE

- Guiding track (top) L → Print and use the templates ① and ②
- Guiding track (top) R → Print and use the templates ③ and ④
- Upper track → Print and use the template ⑤

MFU1200-L (Left to Right opening)



MFU1200-R (Right to Left opening)



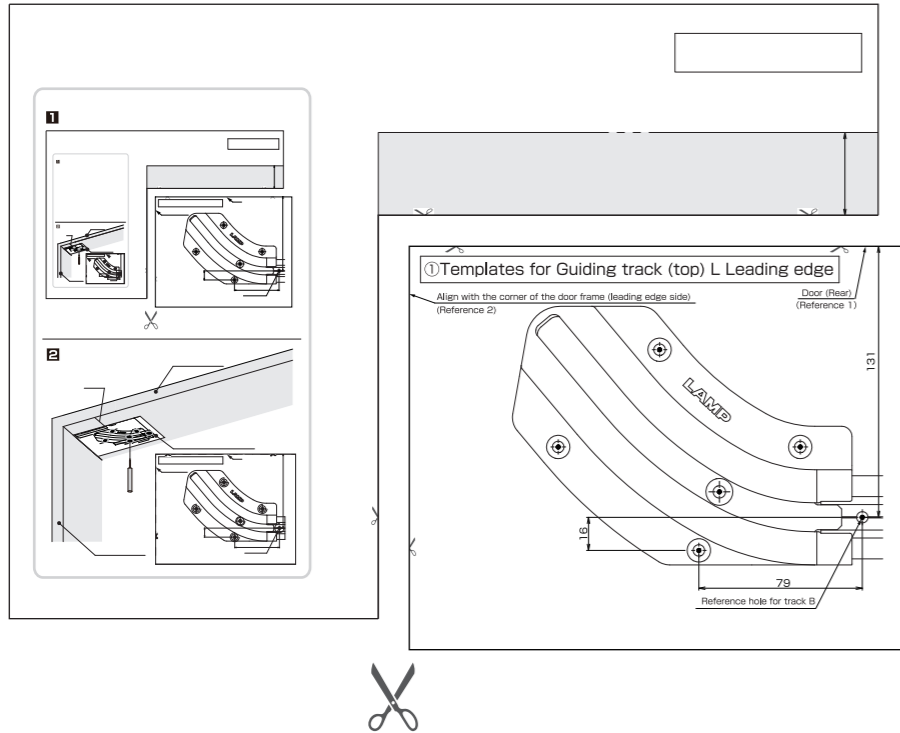
① Mounting template for MFU1200 Guiding track (top) L Leading edge.

- Set the printing magnification to “100%” .
- After printing, be sure to use a ruler to check that the dimensions indicated are correct.

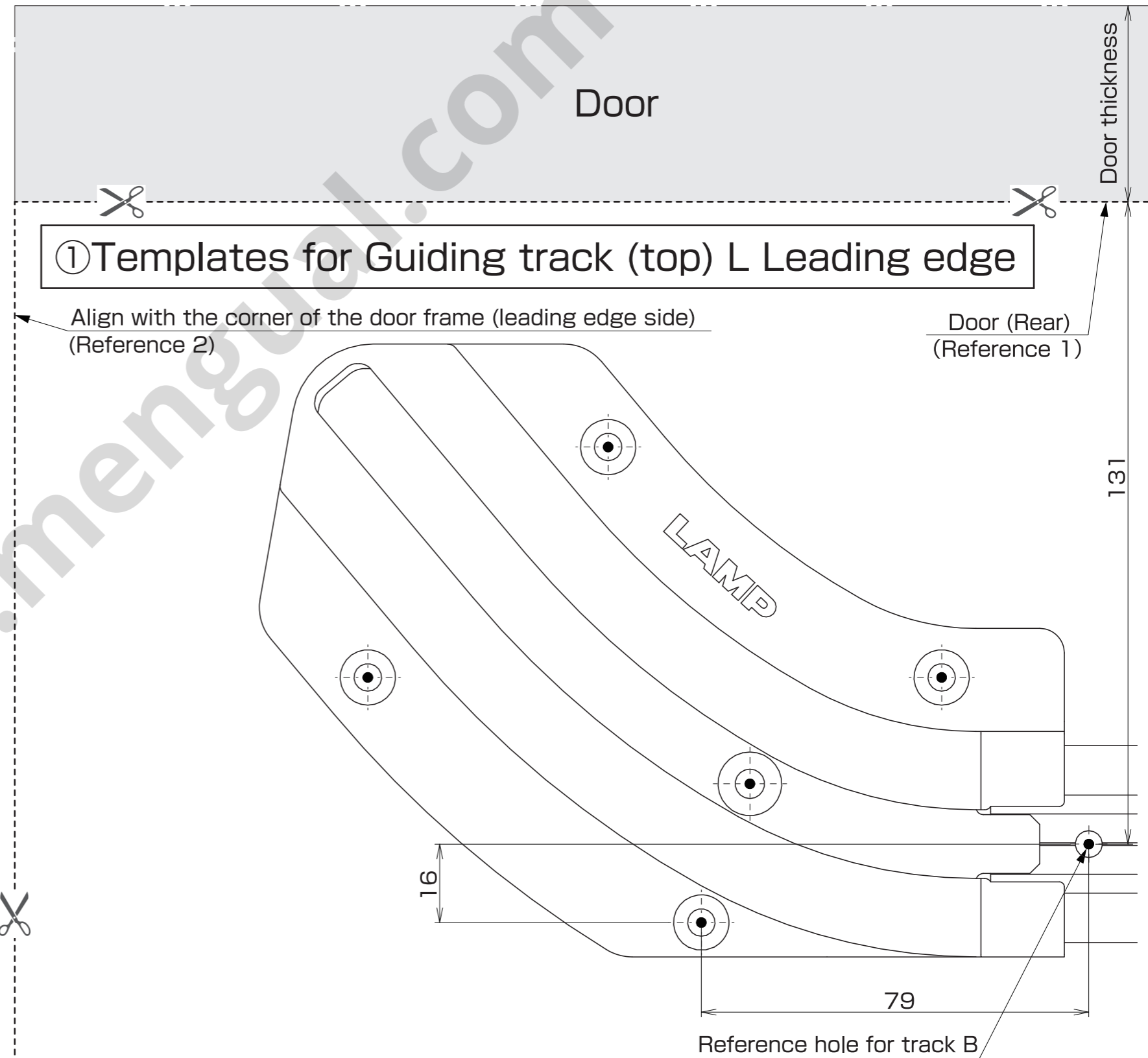
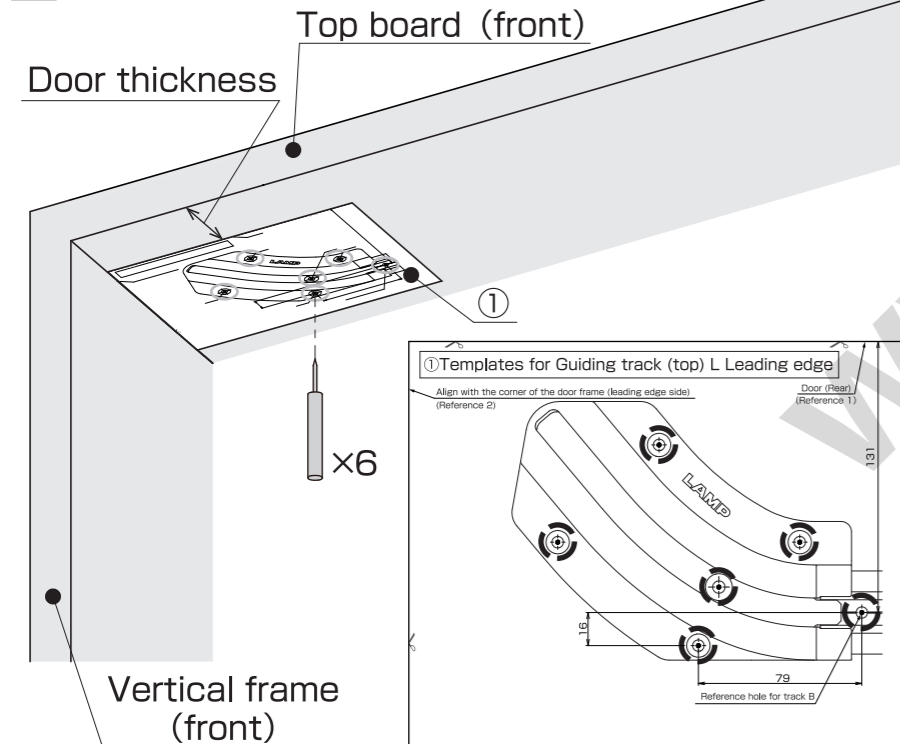
Paper size : A3 · ANSI B
Print magnification : 100%

How to use template

1 Cut out template



2 Place the template



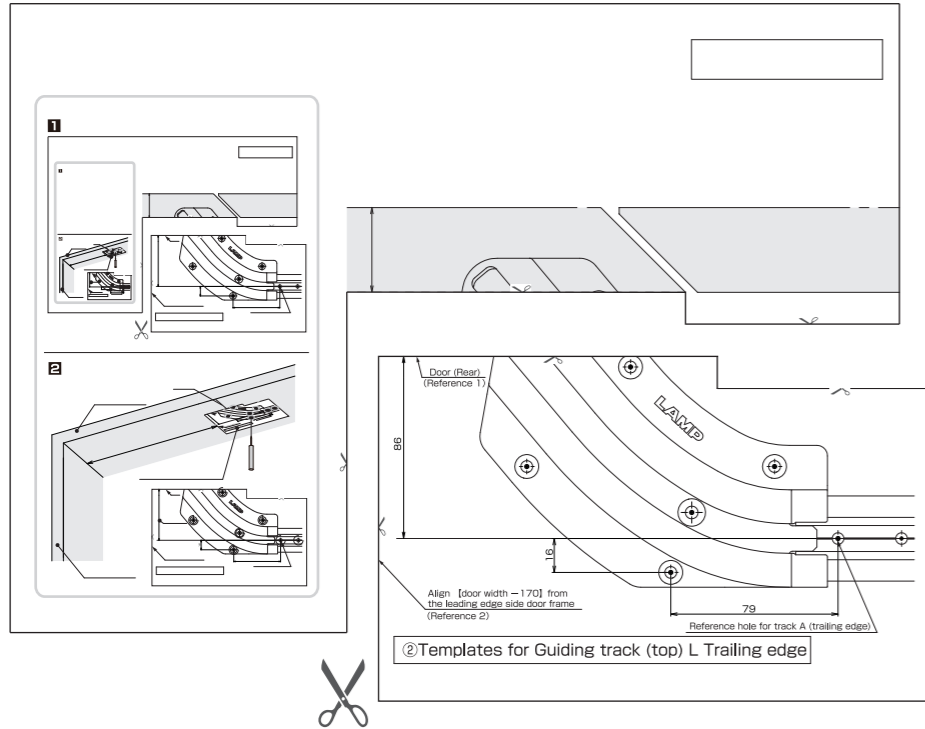
② Mounting template for MFU1200 Guiding track (top) L Trailing edge

- Set the printing magnification to “100%” .
- After printing, be sure to use a ruler to check that the dimensions indicated are correct.

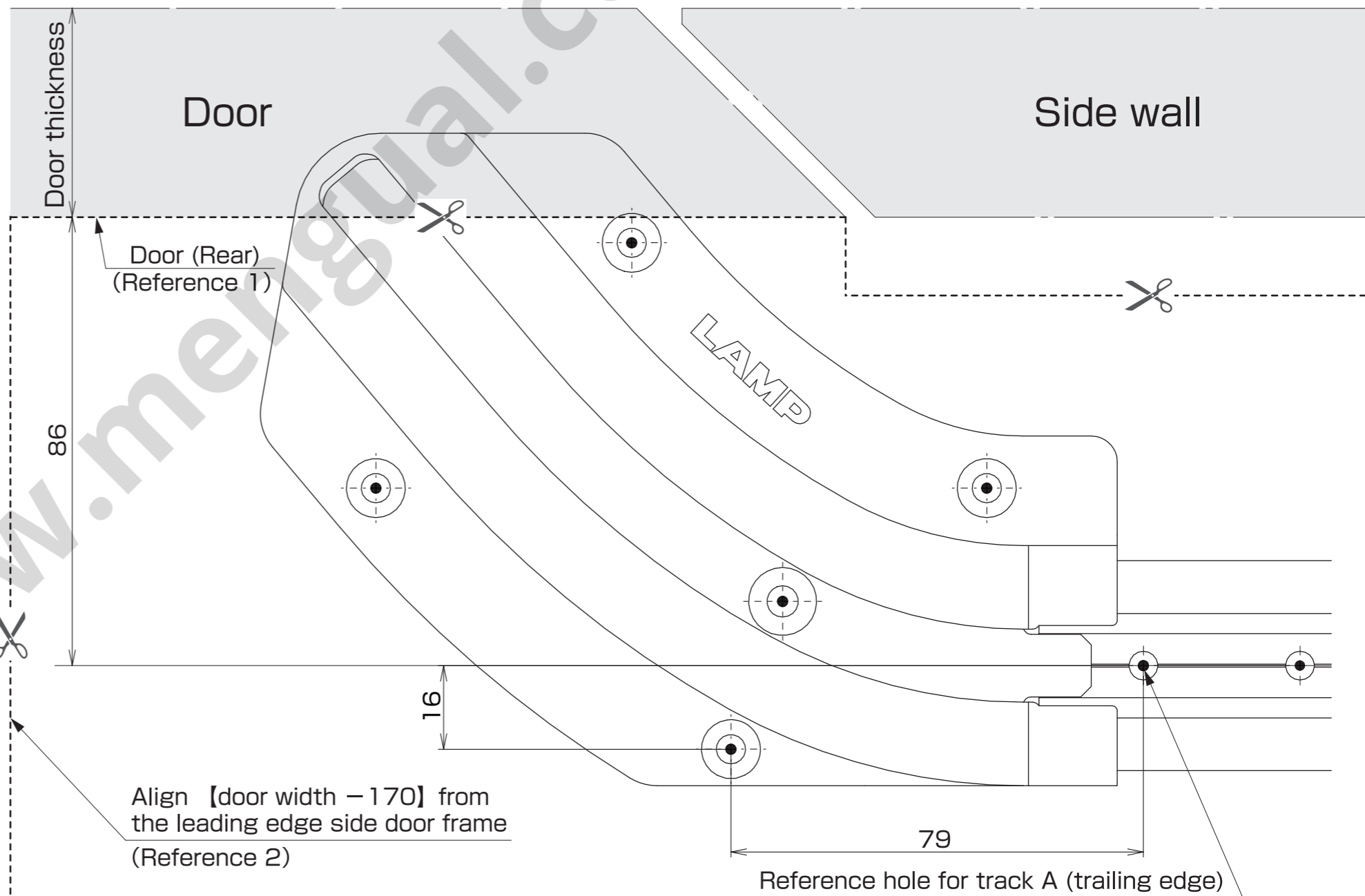
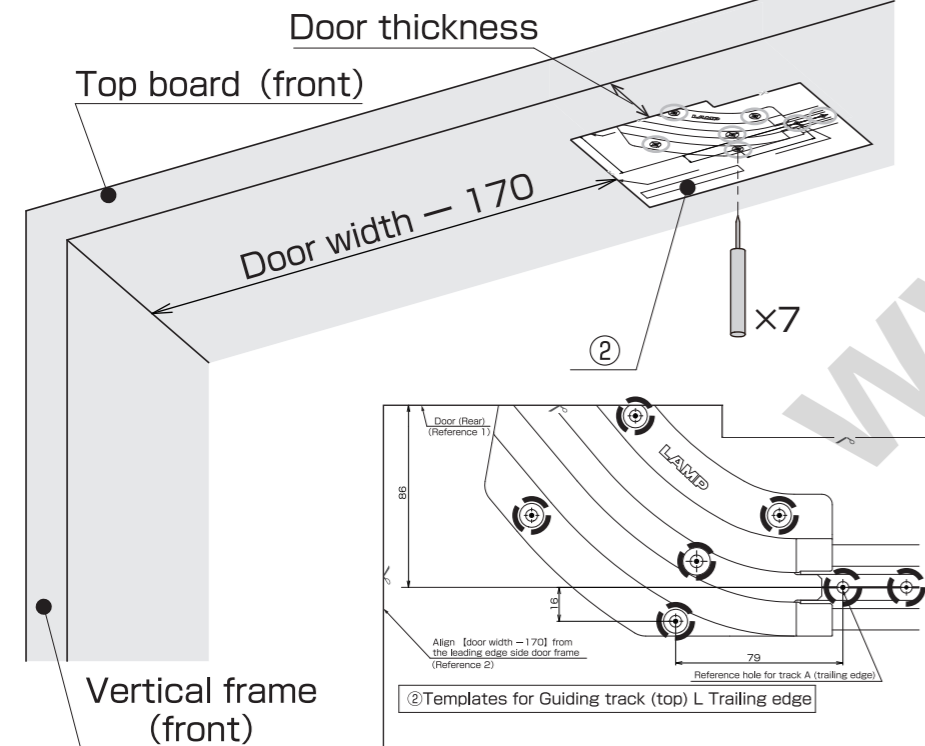
Paper size : A3 · ANSI B
Print magnification : 100%

How to use template

1 Cut out template



2 Place the template

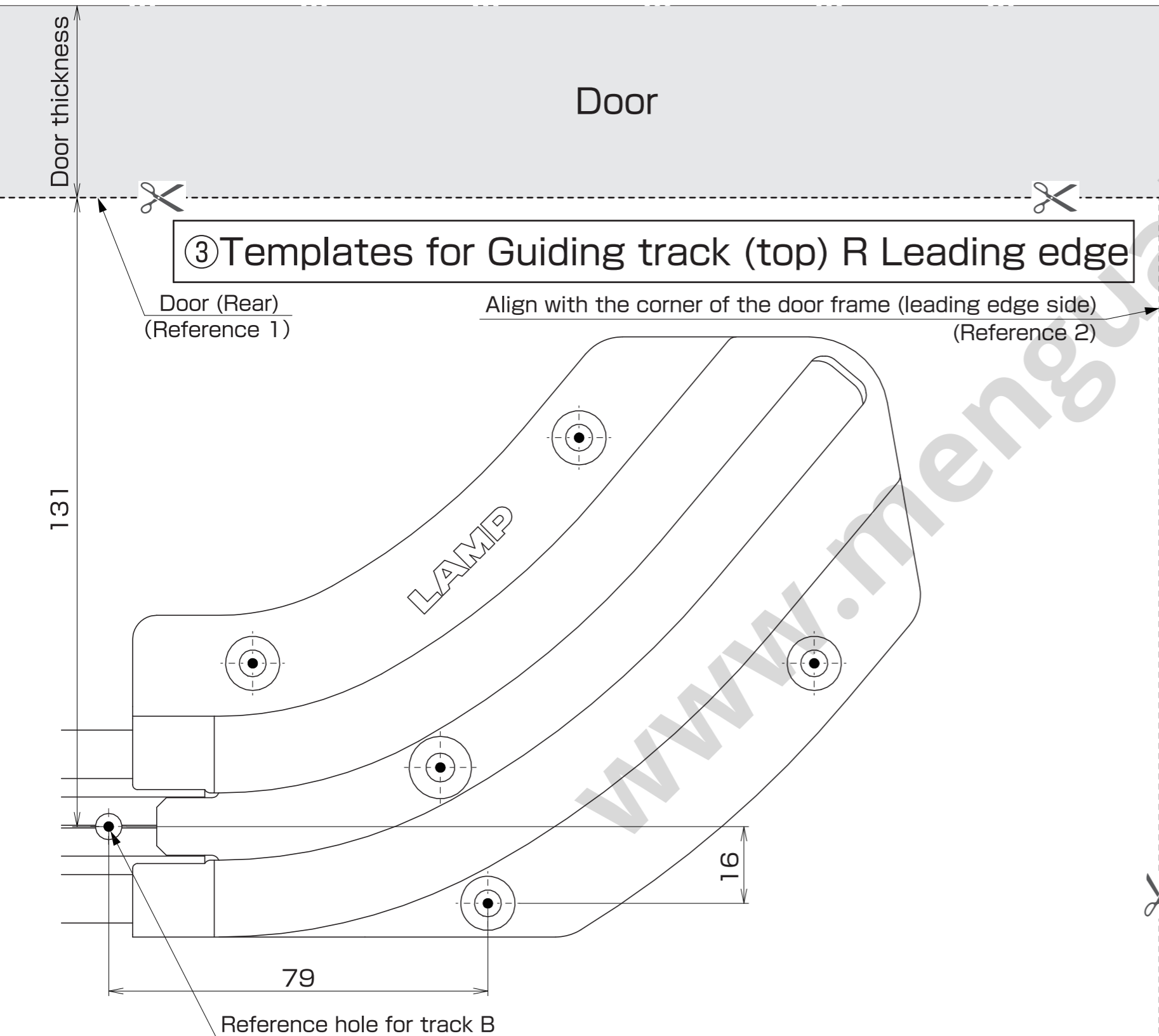


② Templates for Guiding track (top) L Trailing edge

③ Mounting template for MFU1200 Guiding track (top) R Leading edge.

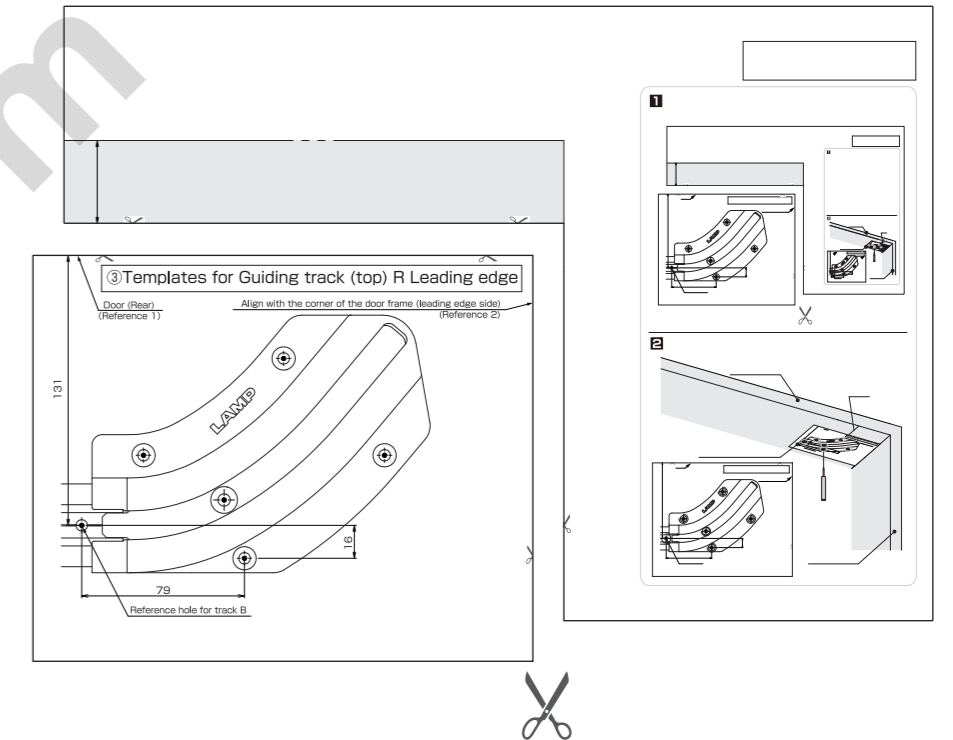
- Set the printing magnification to "100%".
- After printing, be sure to use a ruler to check that the dimensions indicated are correct.

Paper size : A3 · ANSI B
Print magnification : 100%

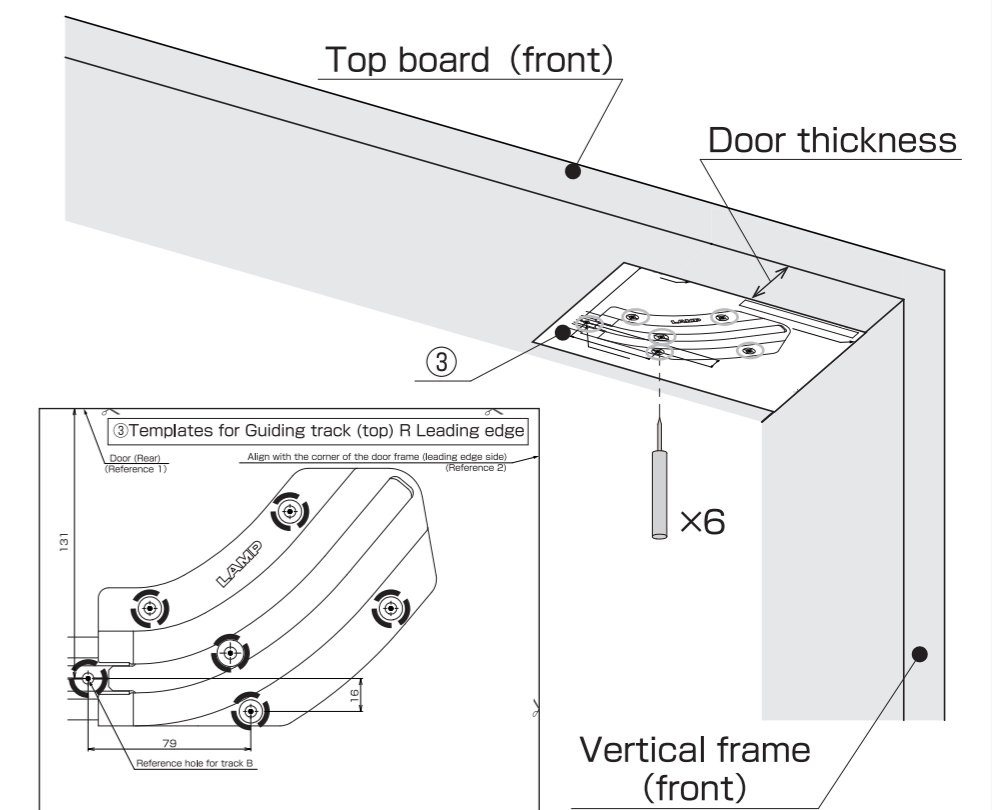


How to use template

1 Cut out template



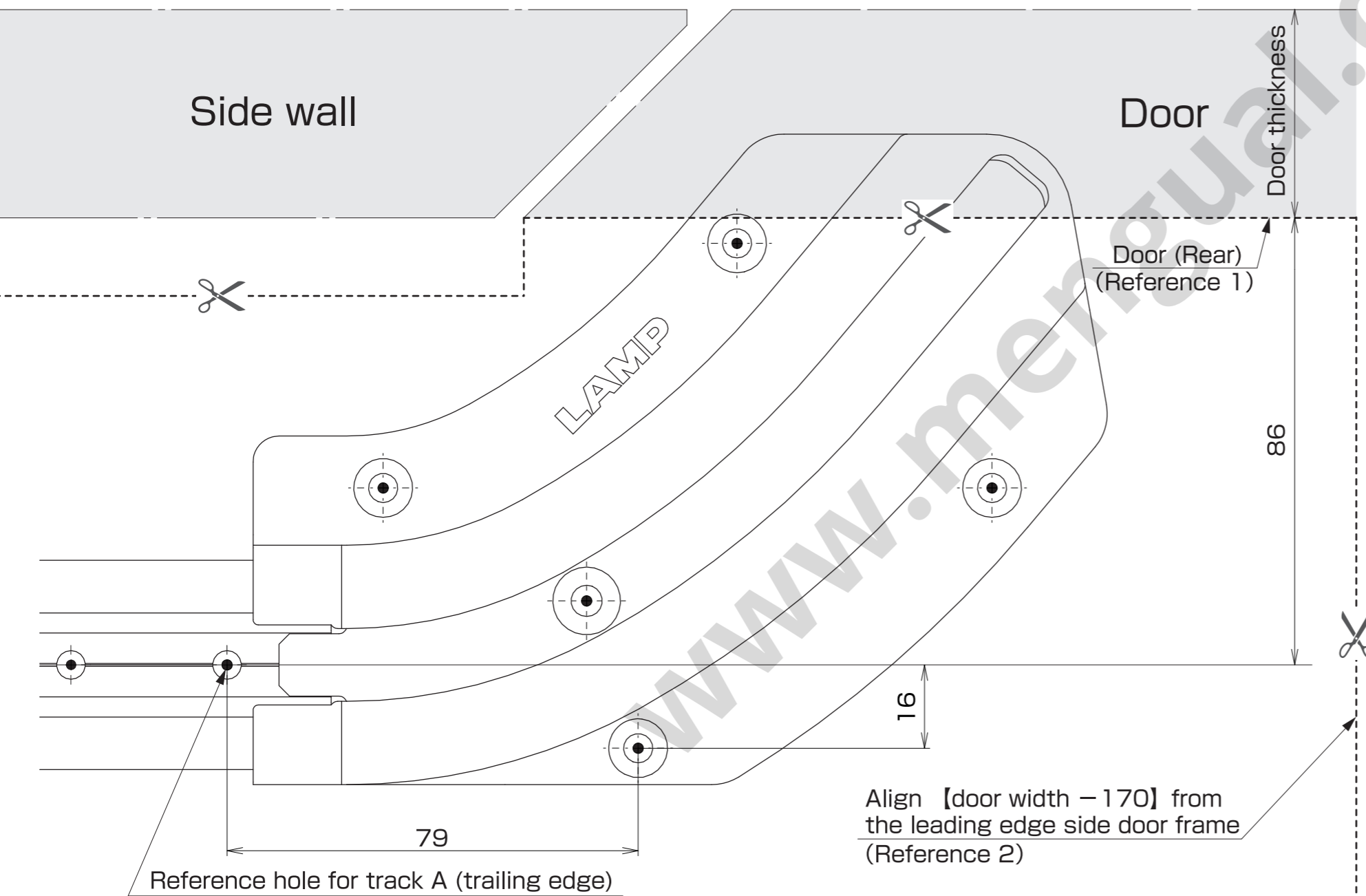
2 Place the template



④ Mounting template for MFU1200 Guiding track (top) R Trailing edge

- Set the printing magnification to “100%” .
- After printing, be sure to use a ruler to check that the dimensions indicated are correct.

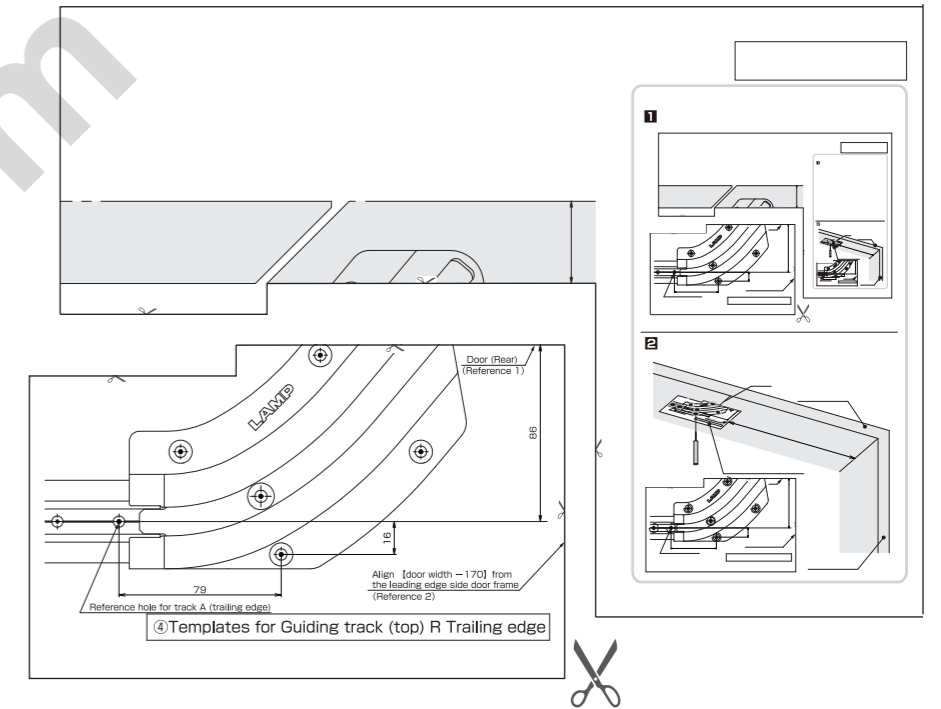
Paper size : A3 · ANSI B
Print magnification : 100%



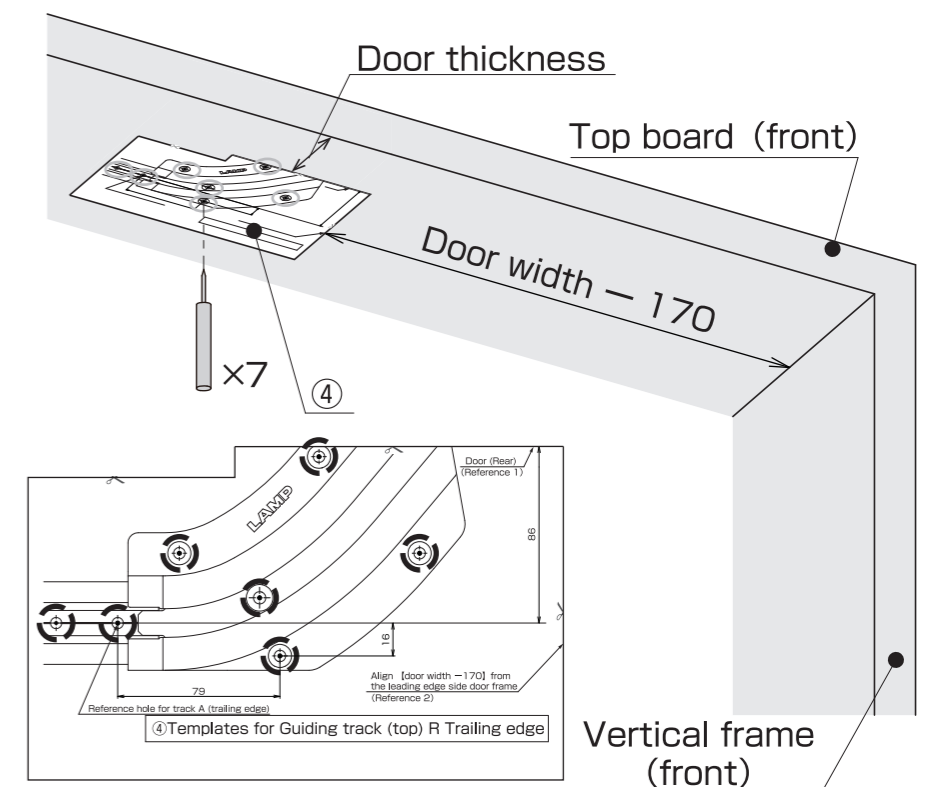
④ Templates for Guiding track (top) R Trailing edge

How to use template

1 Cut out template



2 Place the template



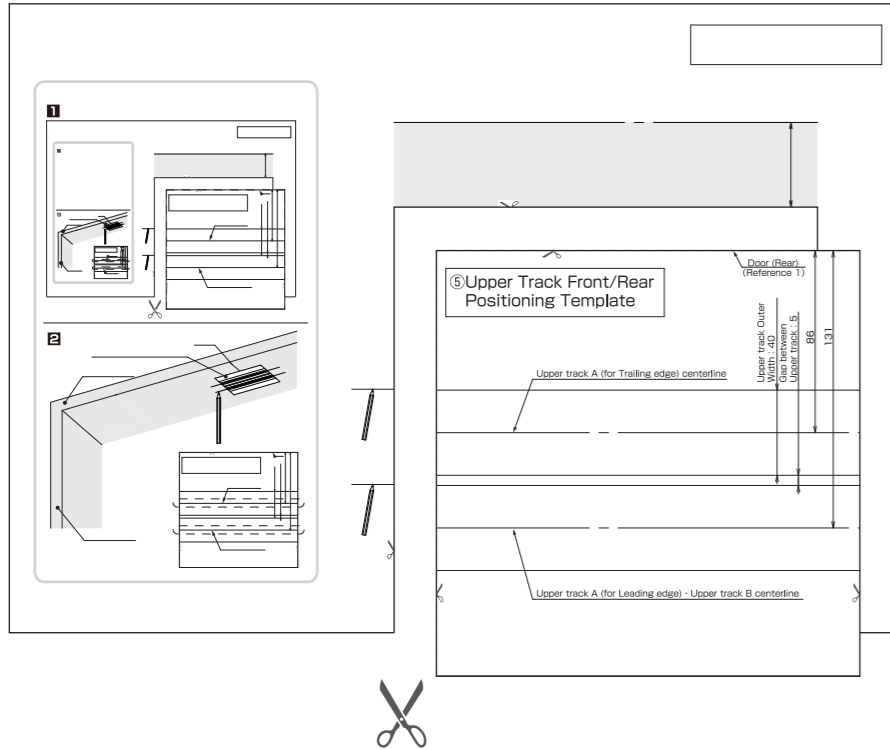
⑤ MFU 1200 Upper Track Front/Rear Positioning Template

- Set the printing magnification to “100%” .
- After printing, be sure to use a ruler to check that the dimensions indicated are correct.

Paper size : A3 · ANSI B
Print magnification : 100%

How to use template

1 Cut out template



2 Place the template

