

Montage- und Bedienungsanleitung

Hera 24V Controller Türkontaktschalter Wireless

Assembly and operating Instructions

Hera 24V Controller Wireless door contact switch

Hera®

24V Controller Wireless door contact switch



IP
20

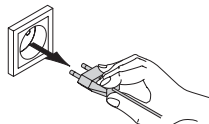


nur im Innenbereich
indoor use only

24 V DC



max. 120 W



Intended use

For 24 V LED luminaires. To connect to safety converter LED 24/...W (max. 120 W), Door contact switch without cable / without battery; this product is for indoor use only.



1. Faulty parts should only be replaced with original parts.
2. Always fully insert all plug connections.
3. No liability will be assumed for any damages resulting from misuse of the door contact switch for applications other than those described here or it being connected incorrectly.
4. Always fit the switch on the side on which the hinges of the door are also fixed.
5. Millings with these dimensions always become smaller when viewed in depth, as the milling tool pushes away somewhat. The plastic parts also have certain tolerances. Therefore, always adapt the milling to the object accordingly.
6. After actuating the switch pin on the door contact switch, a pressure of approx. 4 N (400 g) is transferred to the door. With some fittings, the door can be pushed open again.
7. Up to 12 switches can be tuned in to ONE controller.
8. Unshuttered, the range of the switch is max. 8 m. Due to the conditions in the respective cabinets, the range is reduced and must be checked by your own tests.
9. Connection only to special LED - Converter Hera Type LED 24/...W with a constant output voltage 24 V DC and an output power of max. 120 W
10. Hera grants no warranty when other LED converters as the prescribed converters are used.

Declaration of Conformity

Hera GmbH & Co. KG declares that the product „Hera 24V Controller Türkontaktschalter Wireless“ corresponds to the directive 2014/53/EU. The full text of the EU-Declaration of Conformity is available on the following internet address:

<http://www.hera-online.de/en/technical-information/declaration-of-conformity.html>

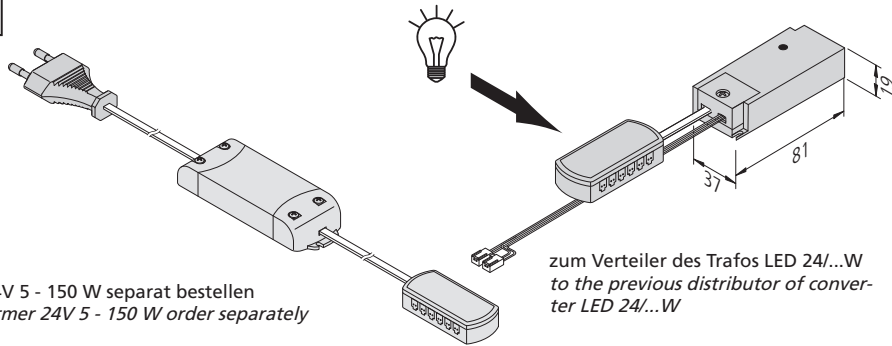


Only clean surfaces with a mild cleaning agent using a soft cloth!



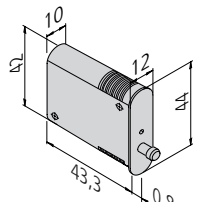
Do not dispose of electrical appliances in household waste, use separate collection facilities. When replacing old appliances with new ones, the retailer is obliged by law to accept to take back your old appliance for disposal free of charge.

24V Controller Türkontaktschalter Wireless



Trafo 24V 5 - 150 W separat bestellen
transformer 24V 5 - 150 W order separately

zum Verteiler des Trafos LED 24/...W
to the previous distributor of converter LED 24/...W

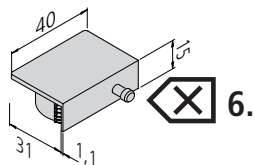


Wireless-O

2 x



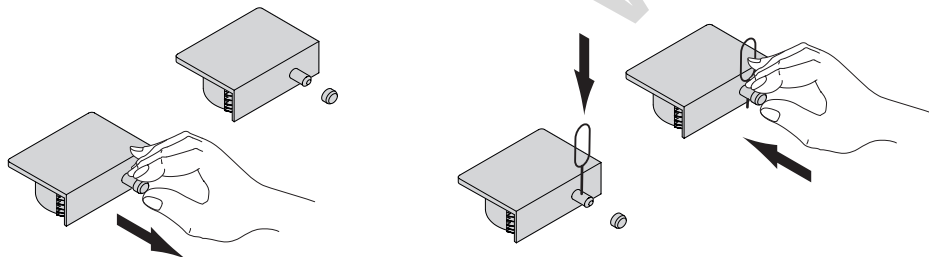
2,5 x 16 Kreuzschlitz, Flachkopfschraube
cross recess, flat head screw



Wireless-T



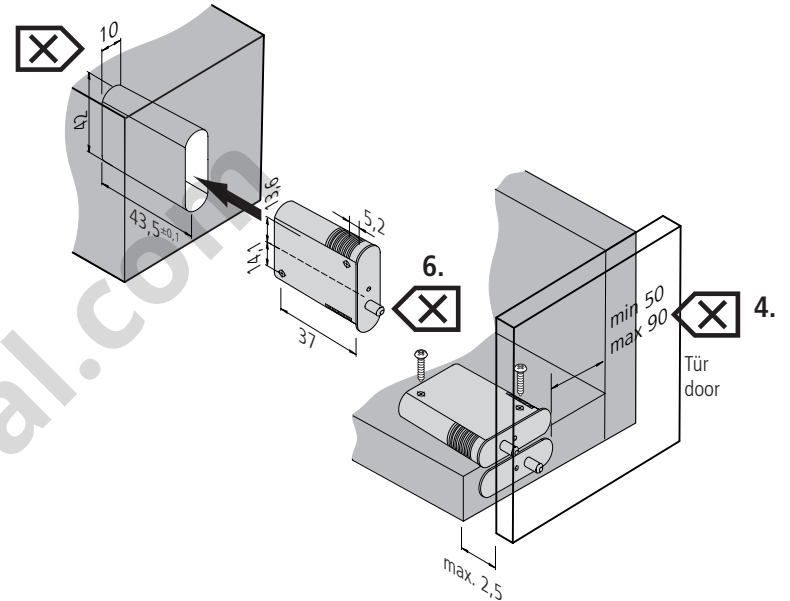
Mit aufgerasteter Verlängerung für Türspalten größer als 3 mm und für „push-to-open“ Beschläge. Sonst bitte die Verlängerung entfernen. Sollte die Verlängerung wieder benötigt werden, den Druckstift mittels Nadel oder Büroklammer fixieren und die Verlängerung aufdrücken.
With latched extension for door gaps larger than 3 mm and for „push-to-open“ fittings. Otherwise, please remove the extension. If the extension is needed again, fix the push pin with a pin or paper clip and push on the extension.



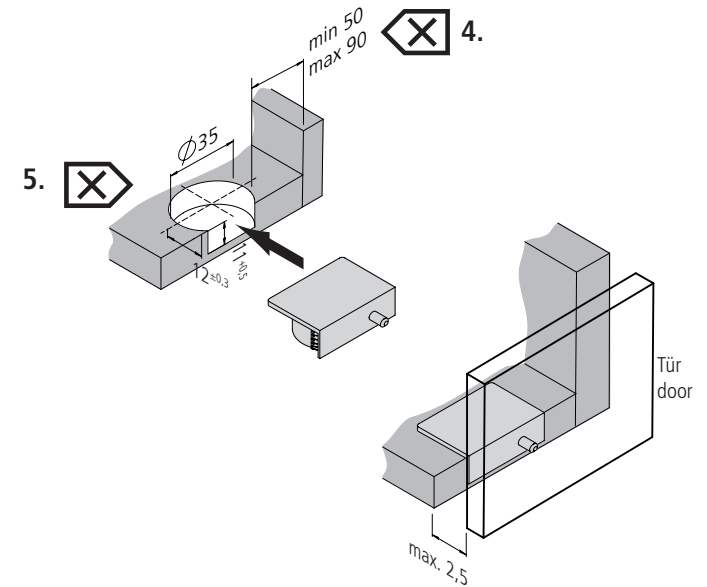
24V Controller Wireless door contact switch



5.



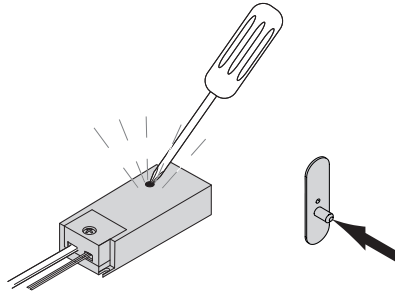
5.



24V Controller Türkontaktschalter Wireless



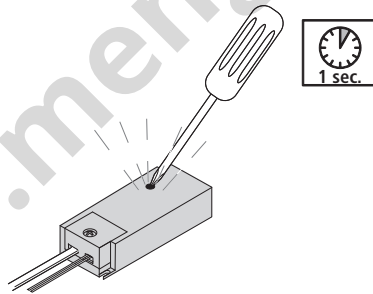
Anlernen des Türkontaktschalters an den Controller *Teaching the door contact switch to the controller*



Knopf am Controller 1 x kurz drücken, die Signal-LED leuchtet. Innerhalb 1 Sekunde den Knopf am Controller erneut drücken und festhalten bis die Signal-LED blinkt. Dann den Türkontaktschalter 1 x kurz drücken, die Signal-LED erlischt. Das Anlernen ist erfolgt. Es können bis zu 12 Schalter auf EINEN Controller angelernt werden. Nach dem Anlernen von einem neuen Schalter müssen alle vorhandenen Schalter einmal betätigt werden. *Press the button on the controller once briefly, the signal LED lights up. Within 1 second, press the button on the controller again and hold it down until the signal LED flashes. Then briefly press the door contact switch once, the signal LED goes out. The teach-in is complete. Up to 12 switches can be taught-in on ONE controller. After teaching-in a new switch, all existing switches must be operated once.*



Zurücksetzen der Verbindung Controller - Türkontaktschalter *Resetting the connection controller - door contact switch*



Knopf am Controller kurz drücken, die Signal-LED leuchtet. Wenn die Signal-LED erlischt, innerhalb von 1 Sekunde erneut den Knopf drücken und gedrückt halten. Die Signallampe blinkt dreimal und geht aus. Die Verbindung wird bei allen angeschlossenen Schaltern getrennt. *Press the button on the controller briefly, the signal LED lights up. When the signal LED goes out, press the button again within 1 second and keep it pressed. The signal lamp flashes three times and goes out. The connection is disconnected for all connected switches.*

