

z e n s

PuK Combi

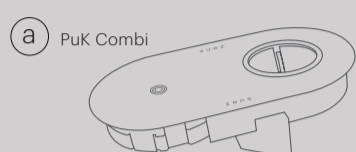
Installation guide

www.makezens.com

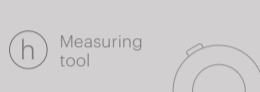
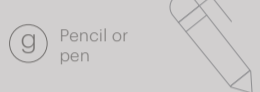


All rights reserved. Zens is a trademark of Zens B.V.
Designed in the Netherlands. Assembled in China.
Zens B.V., High Tech Campus 85, 5656 AG Eindhoven, NL

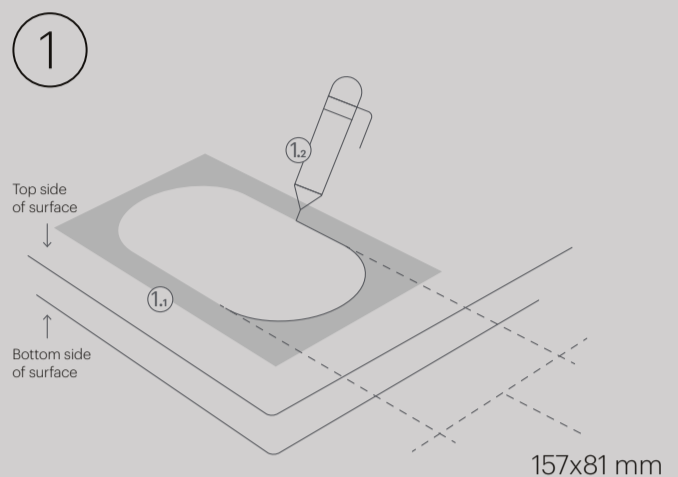
Included items



Required tools (not included)



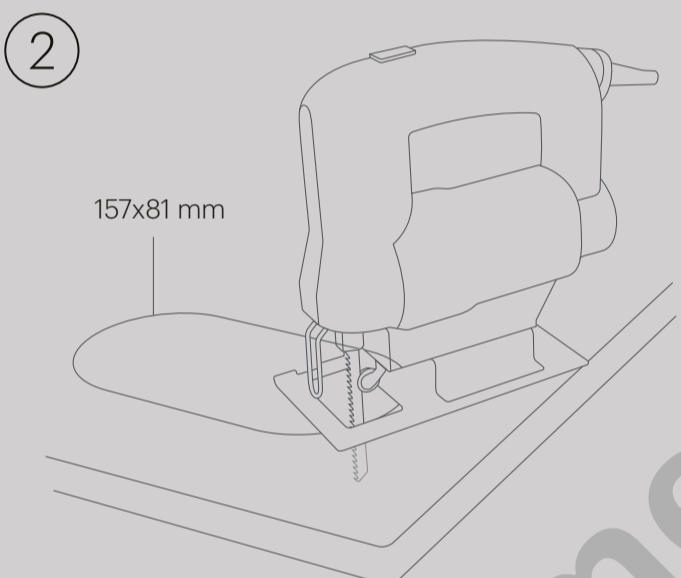
Page 1 | PuK Combi installation guide



1.1 Position the mold on the top side of the surface.
1.2 Draw the shape to indicate the position of the PuK Combi.

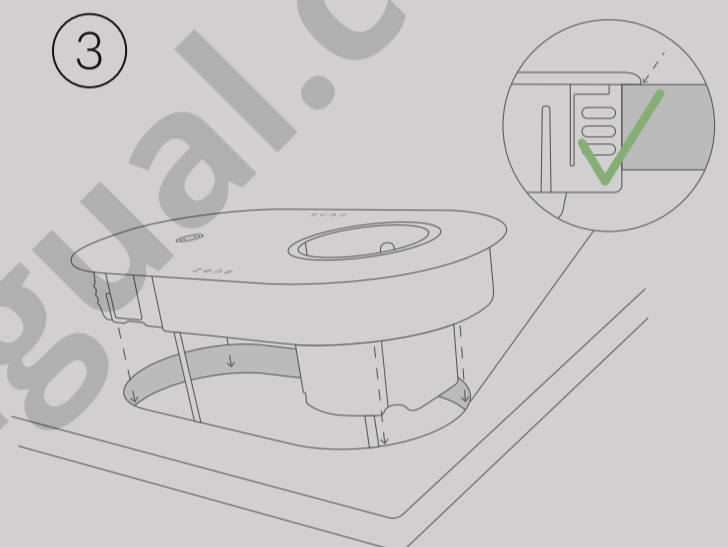
Page 2 | PuK Combi installation guide

Empowering Freedom



Use the jigsaw and follow the drawn lines to cut out the correct shape.

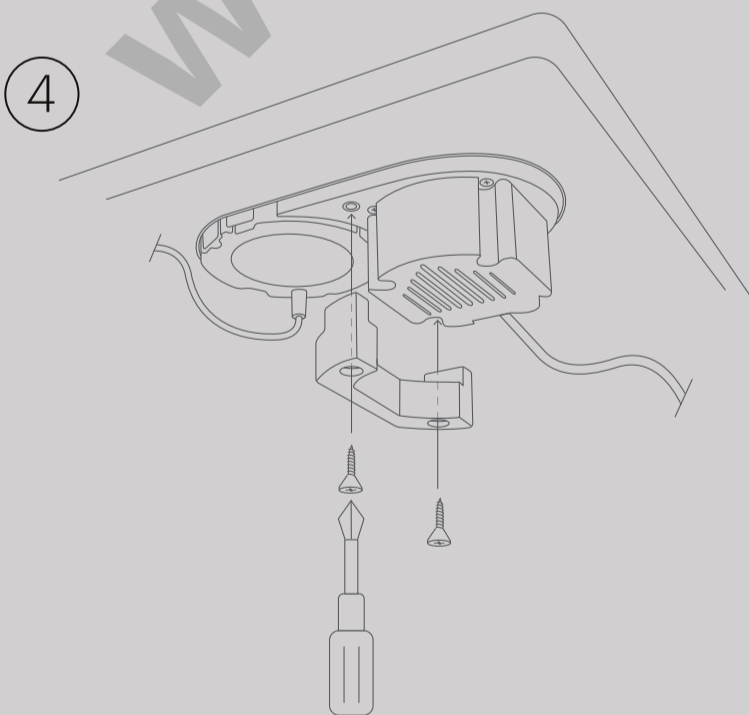
Page 3 | PuK Combi installation guide



Insert the PuK Combi in the opening from above.
Important: leave no space between the product and the surface.

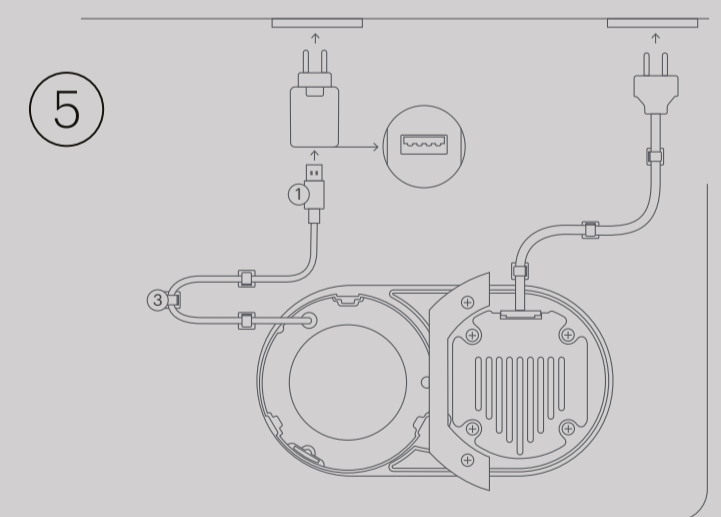
Page 4 | PuK Combi installation guide

Empowering Freedom



Use the two screws to fasten the bracket and secure the product.

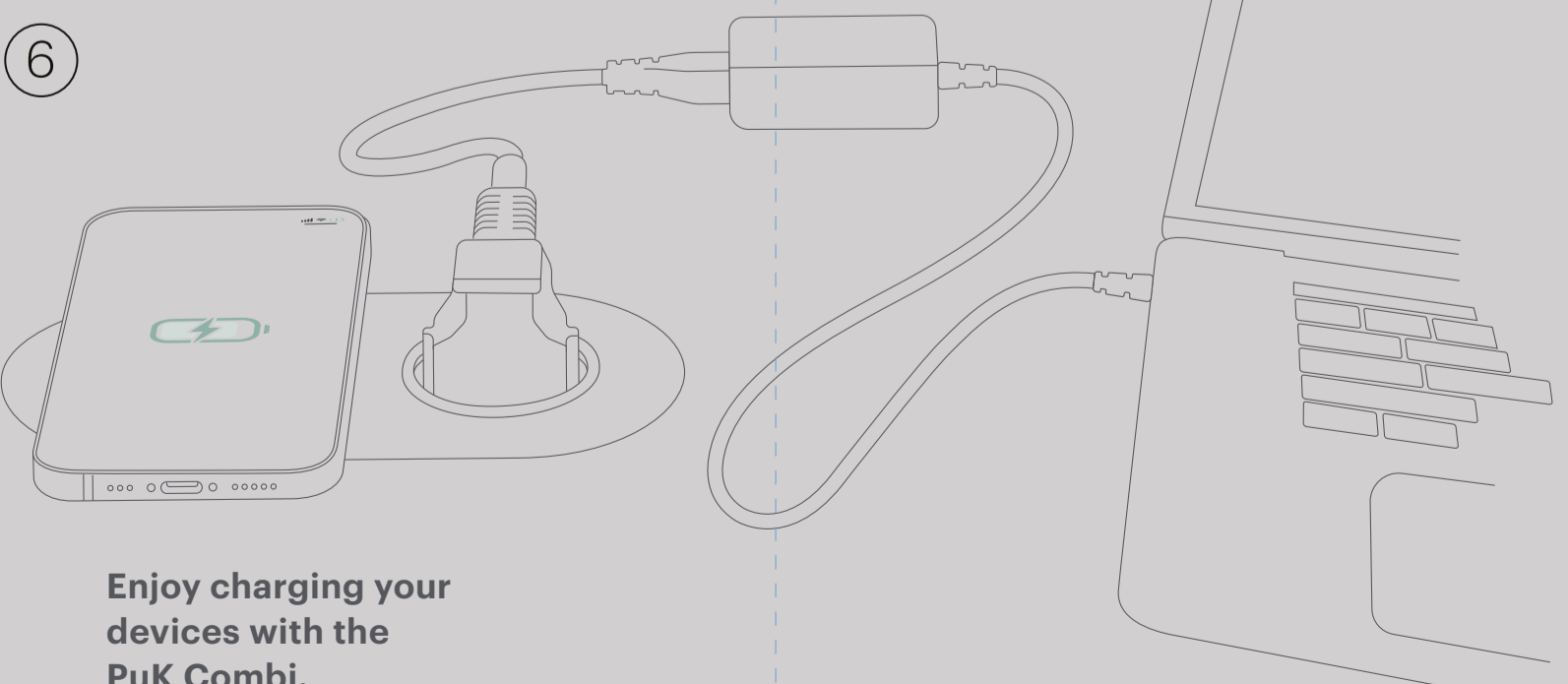
Page 5 | PuK Combi installation guide



1 Connect the USB-A cable to the power adapter and plug it into the nearest power socket.
2 Connect the two USB-C cables to the power adapter and plug it in to the nearest power socket.
3 Use the cable clips to neatly secure the cables on the bottom of the surface.

Page 6 | PuK Combi installation guide

Empowering Freedom



Enjoy charging your devices with the PuK Combi.

Page 7 | PuK Combi installation guide

Page 8 | PuK Combi installation guide

Empowering Freedom