



K12 SYSTEM & K12 SYSTEM ADJ



h Tech 14 mm
magnet
le or invisible version



OPENING
SYSTEMS FOR
LIFT UP AND
DROP DOWN
DOORS



 **K12 SYSTEM DROP DOWN**

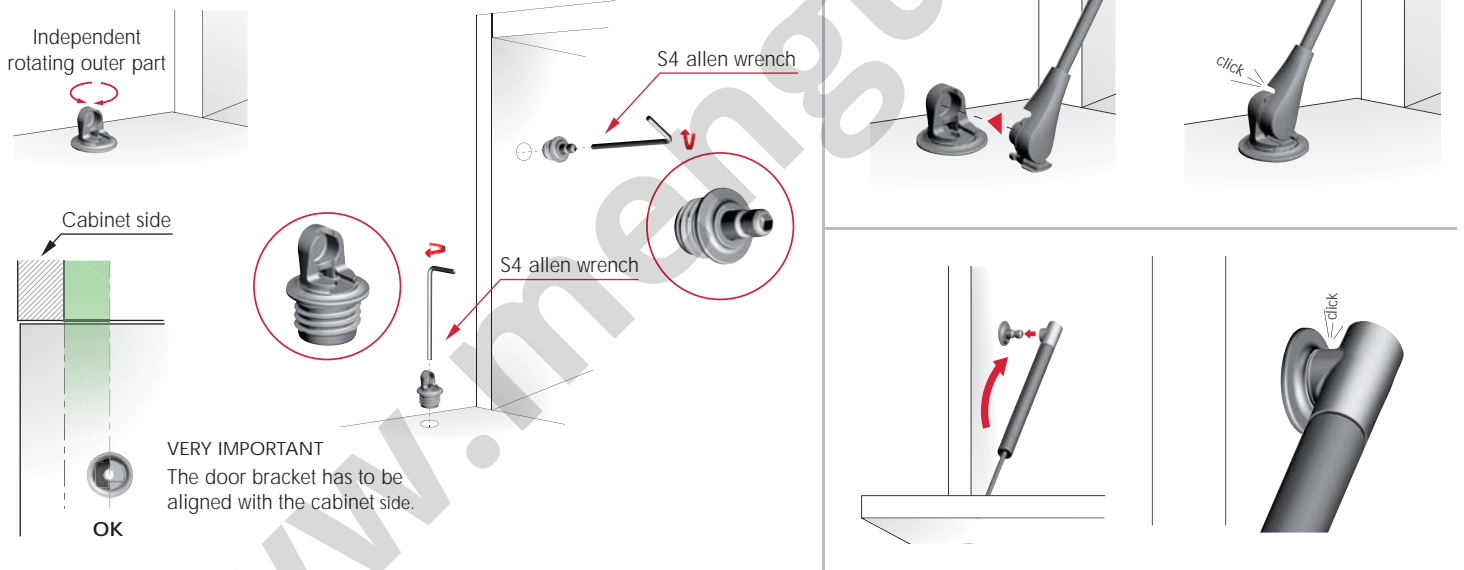


REGISTERED DESIGN
Certificates available on request.



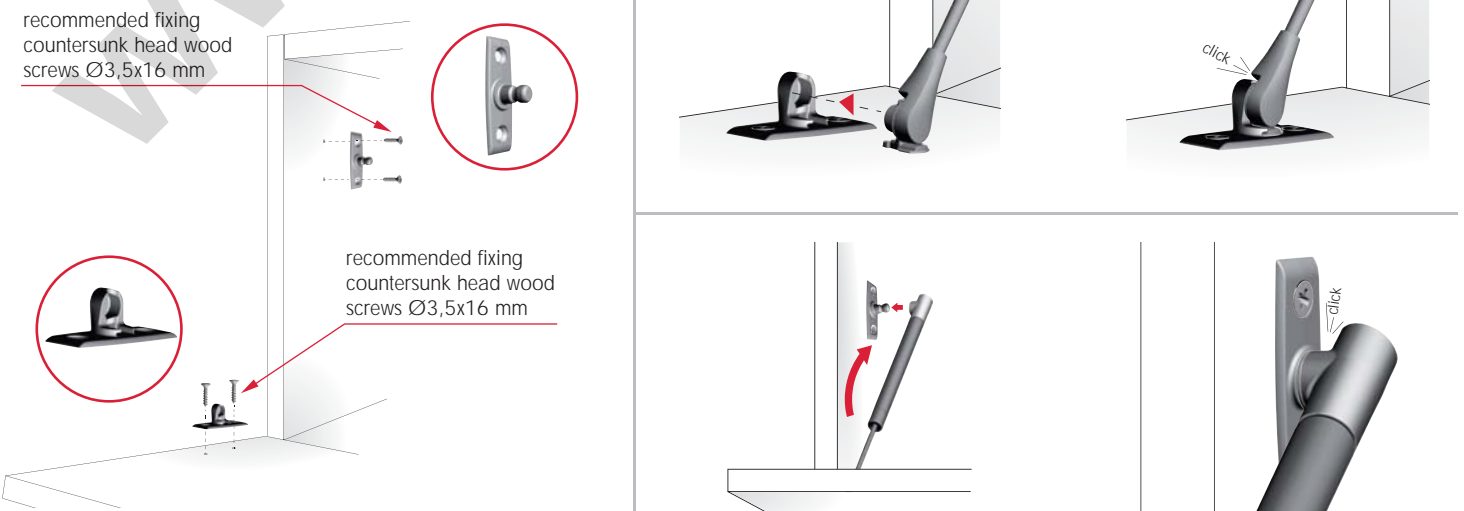
BRACKET Ø15 INSTALLATION

- For details refer to "K12 SYSTEM BRACKETS".



SCREW FIXING BRACKETS INSTALLATION

- For details refer to "K12 SYSTEM BRACKETS".





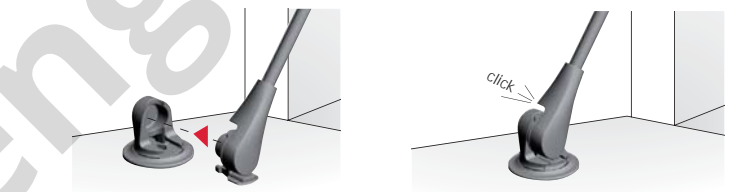
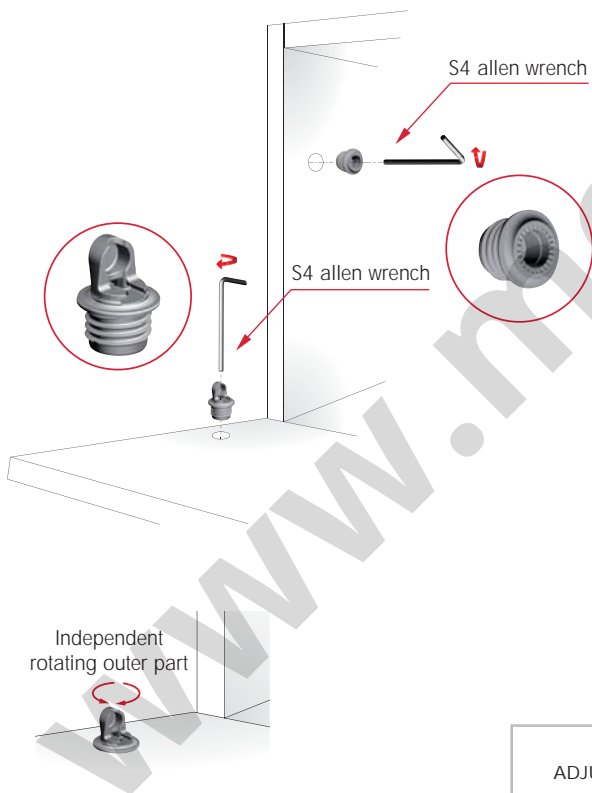
 **K12 SYSTEM ADJ DROP DOWN**



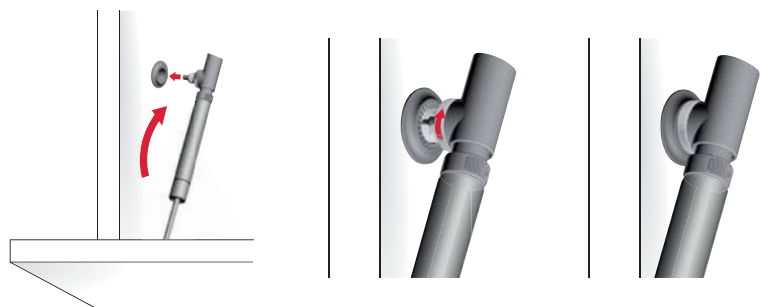
Certificates available on request. 

BRACKET Ø15 INSTALLATION

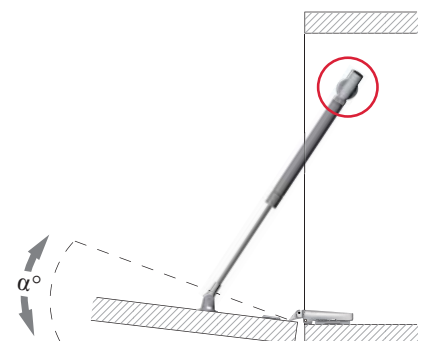
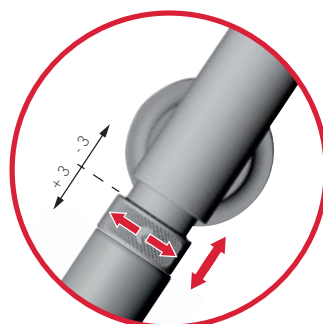
- For details refer to "K12 SYSTEM ADJ BRACKETS".



LOCKING: Rotate the plastic knob.



ADJUSTMENT



Independent rotating outer part

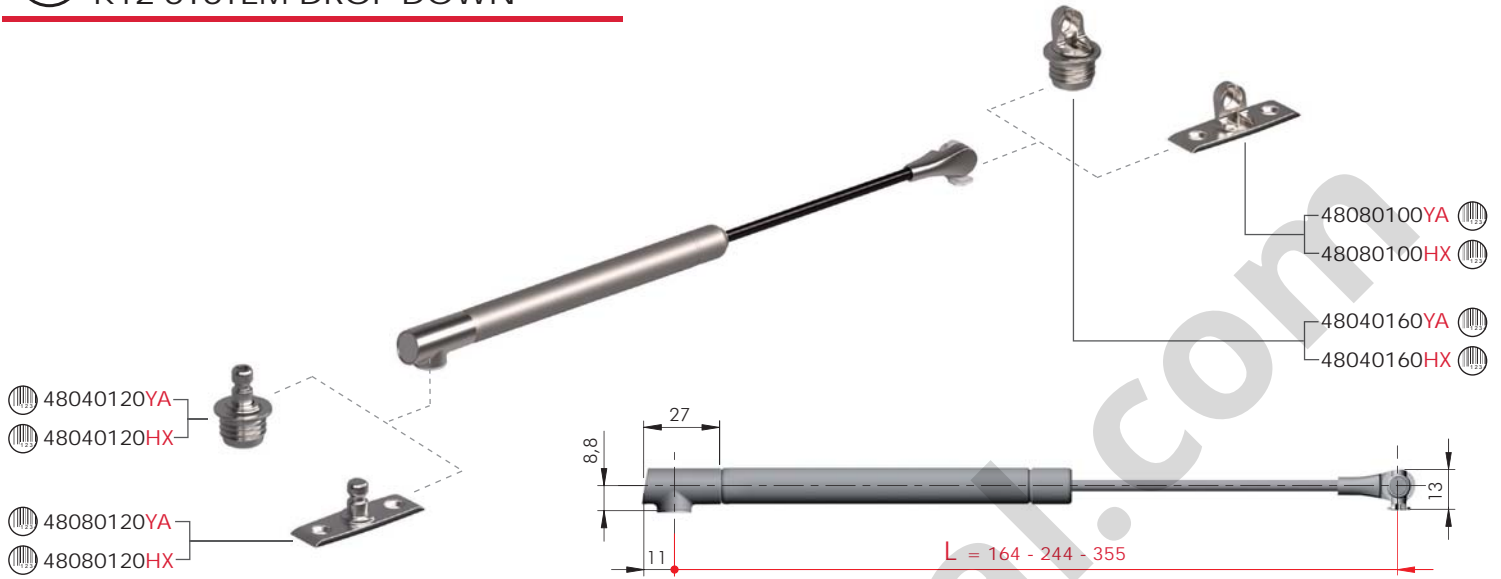
Cabinet side

VERY IMPORTANT
The door bracket has to be aligned with the cabinet side.

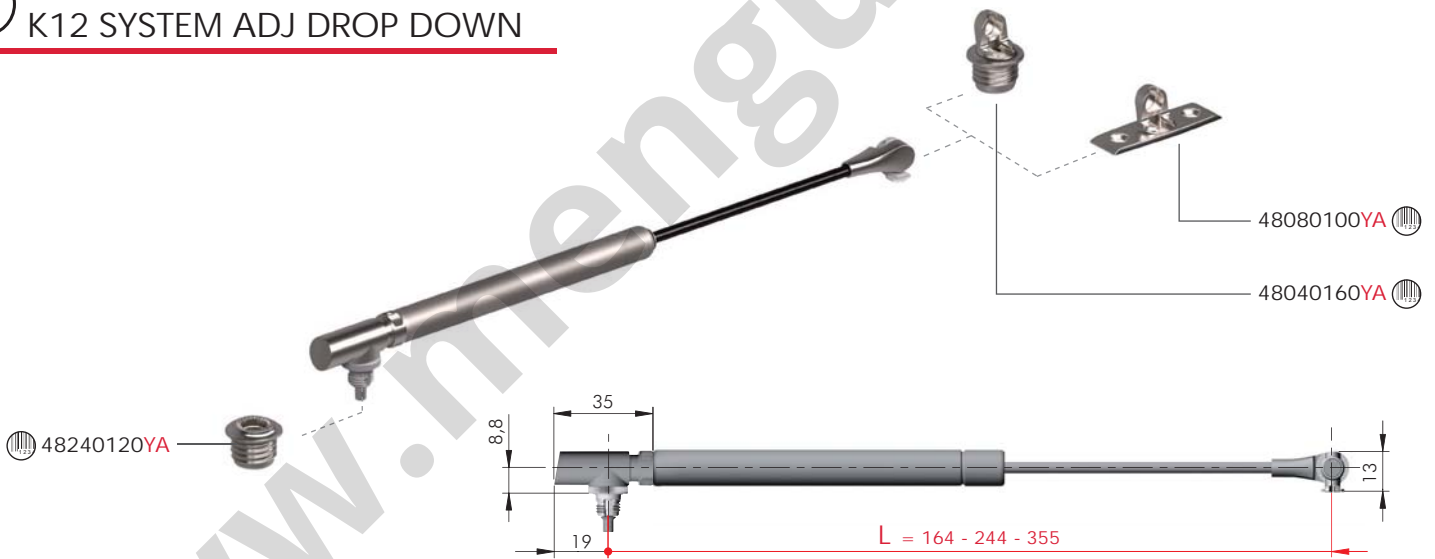
OK



K12 SYSTEM DROP DOWN



K12 SYSTEM ADJ DROP DOWN



ZA EP ST



= 100 pcs. for L. 164 mm
50 pcs. for L. 244 and 355 mm

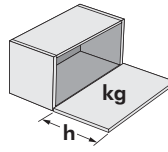
L	K12 SYSTEM	K12 SYSTEM ADJ
164	48050200UZ	48250200UZ
244	48060200UZ	48260200UZ
355	48070200UZ	48270200UZ

+ Part.no + HX

+ Part.no + HX = K12 System with end parts in graphite finish are available on request.



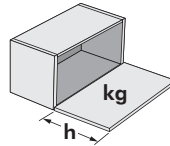
Number of stays chart - L 164 mm



Rev. 02

h	Door weight (kg)					
	1	2	3	4	5	6
200 - 224	1 x K12		2 x K12			
225 - 274	1 x K12		2 x K12			3 x K12
275 - 300	1 x K12		2 x K12		3 x K12	

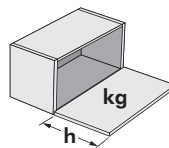
Number of stays chart - L 244 mm



Rev. 02

h	Door weight (kg)												
	1	2	3	4	5	6	7	8	9	10	11	12	13
290 - 324	1 x K12		2 x K12					3 x K12			4 x K12		
325 - 374	1 x K12		2 x K12				3 x K12			4 x K12			
375 - 424	1 x K12		2 x K12			3 x K12				4 x K12			
425 - 474	1 x K12		2 x K12		3 x K12			4 x K12				-	
475 - 500	1 x K12		2 x K12		3 x K12		4 x K12			-			

Number of stays chart - L 355 mm



Rev. 02

h	Door weight (kg)												
	1	2	3	4	5	6	7	8	9	10	11	12	13
390 - 424	-	-	1 x K12			2 x K12					3 x K12		
425 - 474	-	-	1 x K12			2 x K12					3 x K12		
475 - 524	-	-	1 x K12			2 x K12					3 x K12		
525 - 574	-	1 x K12			2 x K12				3 x K12				
575 - 600	1 x K12			2 x K12					3 x K12				4 x K12

These are experimental results to be checked by the customer. In accordance with the actual European regulation, we suggest to use at least two stays for each door. Our technical department is at your disposal to test further cases out of this chart.



K12 SYSTEM
CONFIGURATOR:



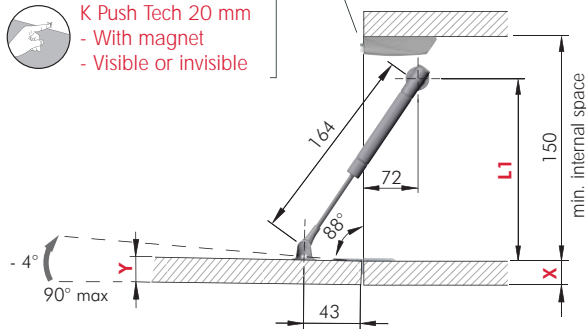
DROP DOWN DRILLING PLANS WITH KIMANA HINGE

L 164 mm

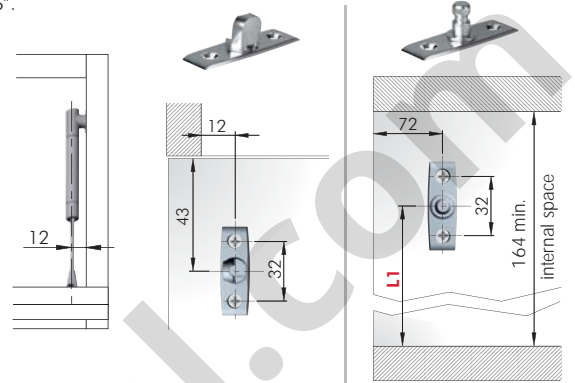
Magnet K Lock
visible or invisible

K Push Tech 20 mm
- With magnet
- Visible or invisible

For details refer to section
"PUSH CATCHES & MAGNETIC CATCHES".



SCREW FIXING BRACKETS:



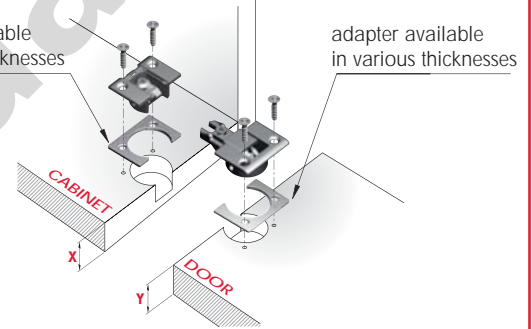
Bracket not available for
K12 SYSTEM ADJ

Opening angle adjustment is possible only with K12 SYSTEM ADJ version.

Overcrossing 90° door opening angle, it negatively effects the Kimana hinges.

Cabinet (X)		Door (Y)		L1
16 mm	4 mm	16 mm	2 mm	129
16 mm	4 mm	19 mm	-	131
18 mm	2 mm	18 mm	-	129
19 mm	-	16 mm	2 mm	125
19 mm	-	19 mm	-	127
20 mm	-	20 mm	-	127

adapter available
in various thicknesses



adapter available
in various thicknesses

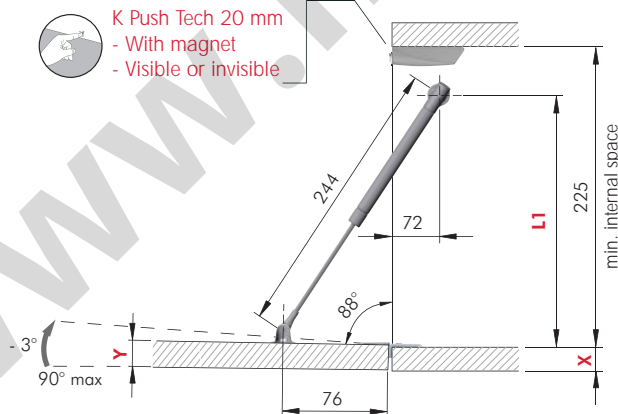
For Kimana and adapter details refer to section "HINGES".

L 244 mm

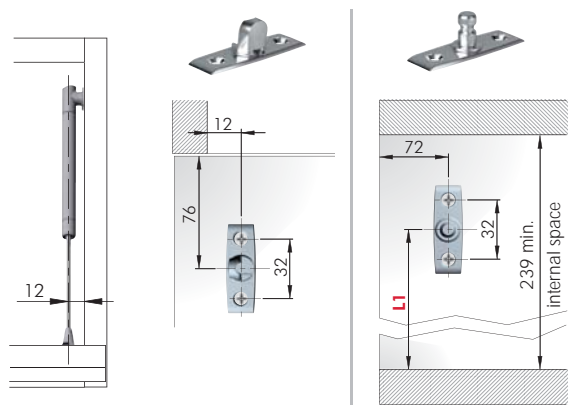
Magnet K Lock
visible or invisible

K Push Tech 20 mm
- With magnet
- Visible or invisible

For details refer to section
"PUSH CATCHES & MAGNETIC CATCHES".



SCREW FIXING BRACKETS:



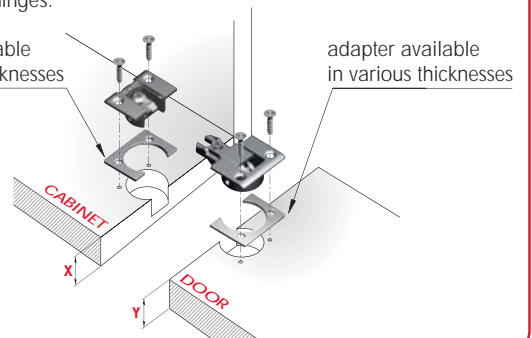
Bracket not available for
K12 SYSTEM ADJ

Opening angle adjustment is possible only with K12 SYSTEM ADJ version.

Overcrossing 90° door opening angle, it negatively effects the Kimana hinges.

Cabinet (X)		Door (Y)		L1
16 mm	4 mm	16 mm	2 mm	208
16 mm	4 mm	19 mm	-	210
18 mm	2 mm	18 mm	-	208
19 mm	-	16 mm	2 mm	204
19 mm	-	19 mm	-	206
20 mm	-	20 mm	-	206

adapter available
in various thicknesses





adapter available
in various thicknesses

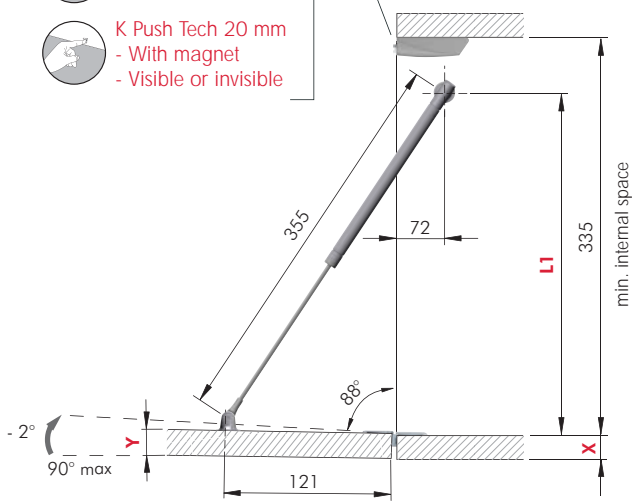
For Kimana and adapter details refer to section "HINGES".



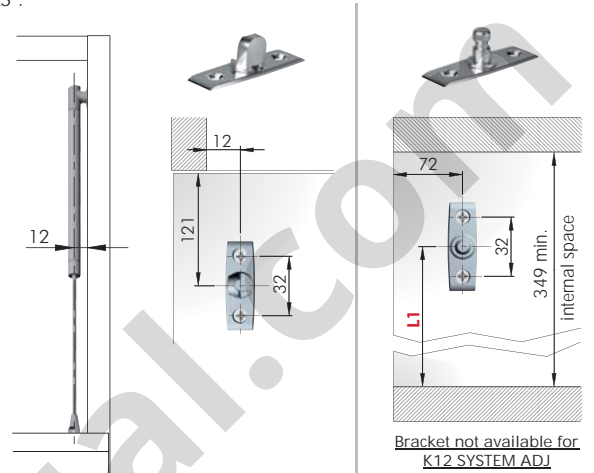
L 355 mm

-  Magnet K Lock
visible or invisible
-  K Push Tech 20 mm
- With magnet
- Visible or invisible


For details refer to section
"PUSH CATCHES & MAGNETIC CATCHES".



SCREW FIXING BRACKETS:

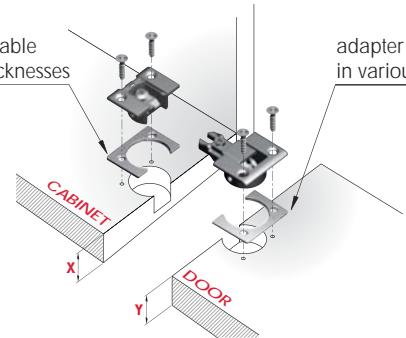


Opening angle adjustment is possible only with K12 SYSTEM ADJ version.

 Overcrossing 90° door opening angle, it negatively effects the Kimana hinges.

Cabinet (X)		Door (Y)		L1
16 mm	4 mm	16 mm	2 mm	314
16 mm	4 mm	19 mm	-	316
18 mm	2 mm	18 mm	-	314
19 mm	-	16 mm	2 mm	310
19 mm	-	19 mm	-	312
20 mm	-	20 mm	-	312

adapter available
in various thicknesses



adapter available
in various thicknesses

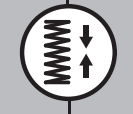
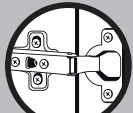
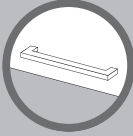
For Kimana and adapter details refer to section "HINGES".

www.italiana.com

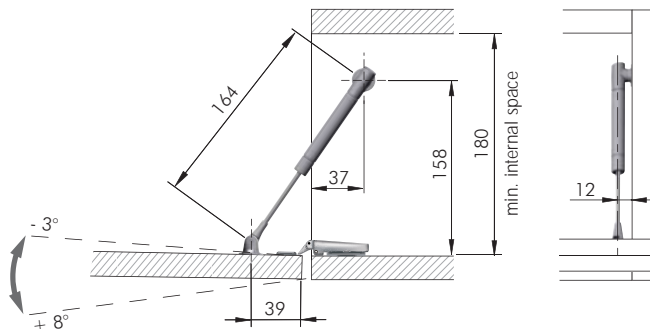


DROP DOWN DRILLING PLANS WITH STANDARD HINGES
OPENING WITH HANDLE

K12 SYSTEM
CONFIGURATOR:

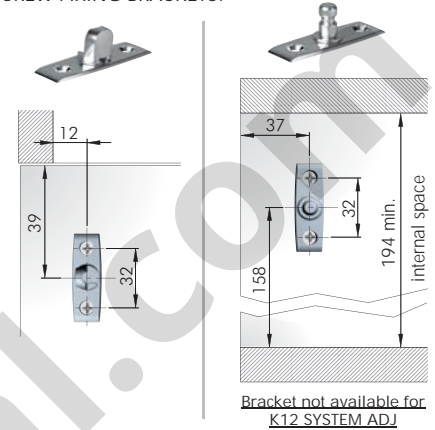


L 164 mm

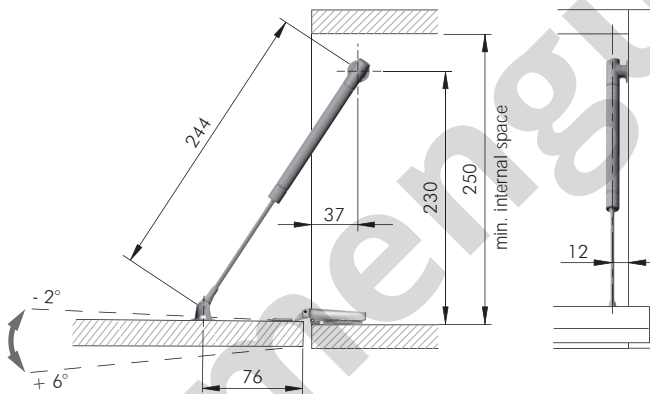


Opening angle adjustment is possible only with K12 SYSTEM ADJ version.

SCREW FIXING BRACKETS:

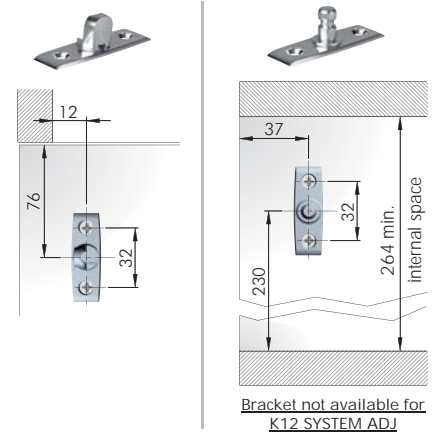


L 244 mm

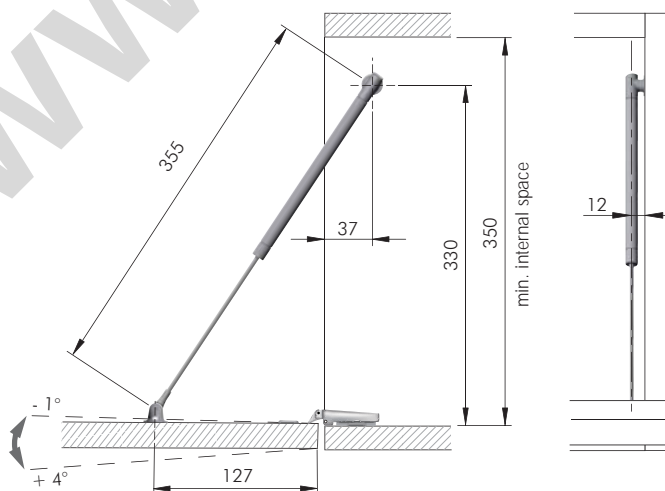


Opening angle adjustment is possible only with K12 SYSTEM ADJ version.

SCREW FIXING BRACKETS:

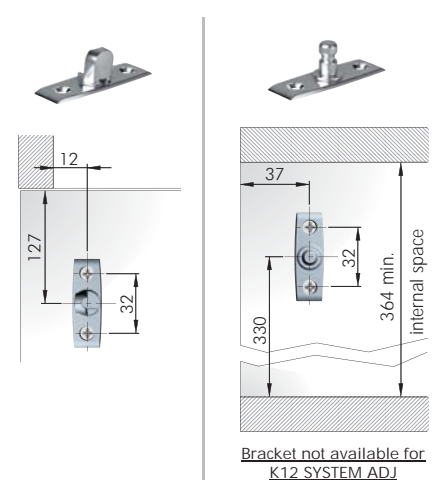


L 355 mm



Opening angle adjustment is possible only with K12 SYSTEM ADJ version.

SCREW FIXING BRACKETS:



The dimensions of the drilling plans refer to carcasses which use **standard sprung hinges** and mounting plates 0 mm. Please note that the opening angle varies with respect to the hinge brand and adjustment carried out.

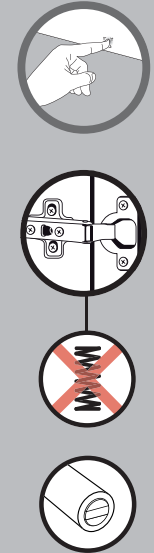


Please note that in case of use of **unsprung hinges**, **magnet K Lock** is required. For details refer to section "PUSH CATCHES & MAGNETIC CATCHES".



DROP DOWN DRILLING PLANS WITH STANDARD HINGES
PUSH TO OPEN

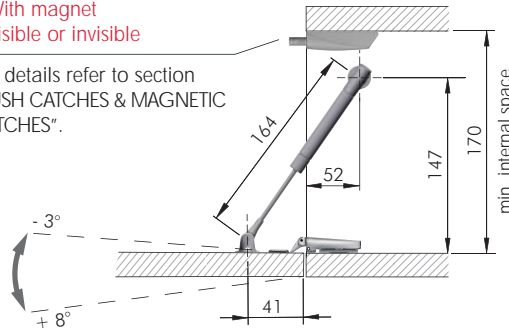
K12 SYSTEM
CONFIGURATOR:



L 164 mm

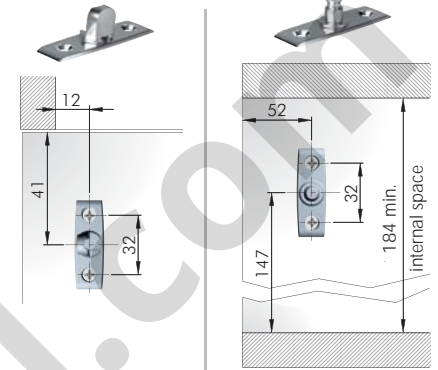
K Push Tech 14 mm
- With magnet
- Visible or invisible

For details refer to section
"PUSH CATCHES & MAGNETIC
CATCHES".



Opening angle adjustment is possible only with K12 SYSTEM ADJ version.

SCREW FIXING BRACKETS:

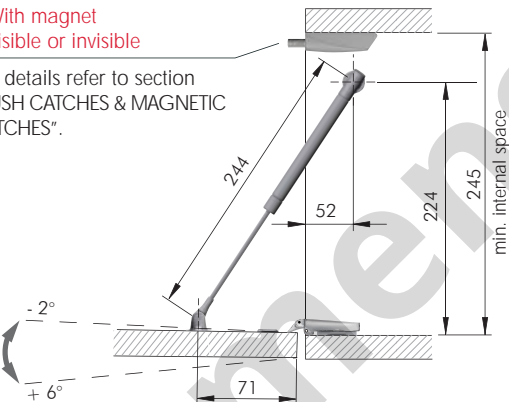


Bracket not available for
K12 SYSTEM ADJ

L 244 mm

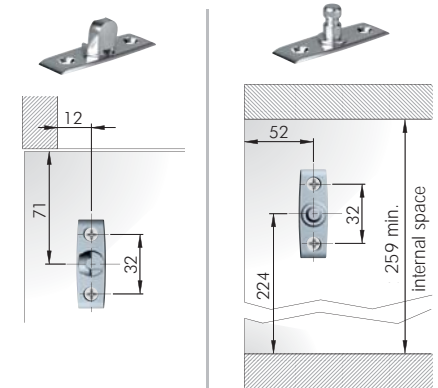
K Push Tech 14 mm
- With magnet
- Visible or invisible

For details refer to section
"PUSH CATCHES & MAGNETIC
CATCHES".



Opening angle adjustment is possible only with K12 SYSTEM ADJ version.

SCREW FIXING BRACKETS:

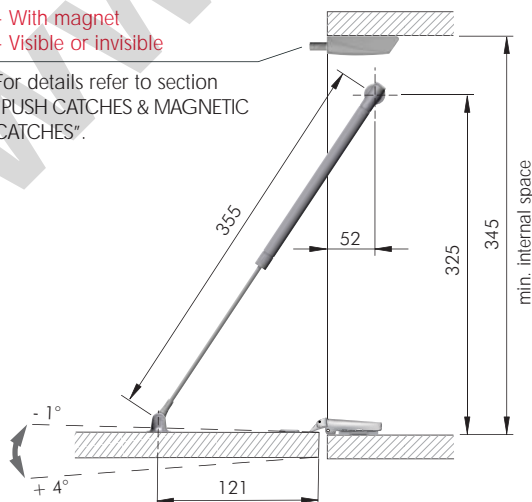


Bracket not available for
K12 SYSTEM ADJ

L 355 mm

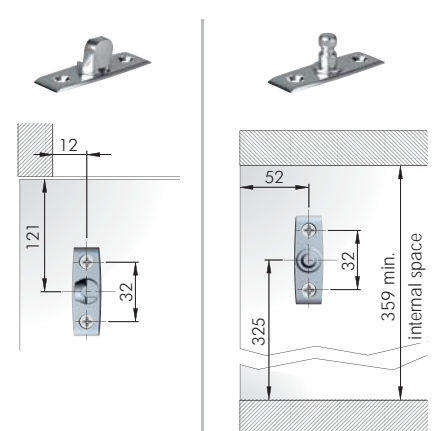
K Push Tech 14 mm
- With magnet
- Visible or invisible

For details refer to section
"PUSH CATCHES & MAGNETIC
CATCHES".



Opening angle adjustment is possible only with K12 SYSTEM ADJ version.

SCREW FIXING BRACKETS:



Bracket not available for
K12 SYSTEM ADJ

The dimensions of the drilling plan refer to carcasses which use **standard unsprung hinges** and mounting plates 0 mm. Please note that the opening angle varies with respect to the hinge brand and adjustment carried out.

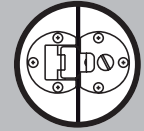


Please note that utilization with **standard sprung hinges** and **K Push Tech with buffer** is also possible. In such case, after the door is initially released by K Push Tech, a manual opening approx. 7cm is required (in order to win the spring resistance). Consequently, the door will automatically open to the fullest. For details refer to section "PUSH CATCHES & MAGNETIC CATCHES".



DROP DOWN DRILLING PLANS WITH FLAP HINGE

K12 SYSTEM
CONFIGURATOR:



L 164 mm

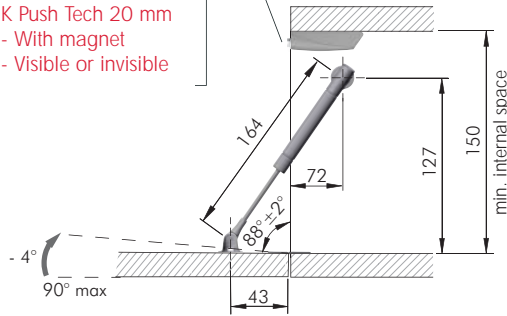


Magnet K Lock
visible or invisible



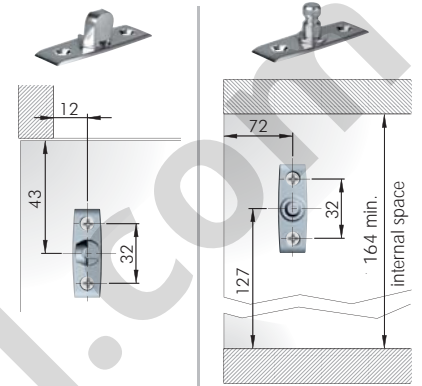
K Push Tech 20 mm
- With magnet
- Visible or invisible

For details refer to section
"PUSH CATCHES & MAGNETIC CATCHES".



Opening angle adjustment is possible only with K12 SYSTEM ADJ version.
⚠ Overcrossing 90° door opening angle, it negatively effects the flap hinges.

SCREW FIXING BRACKETS:



Bracket not available for
K12 SYSTEM ADJ

L 244 mm

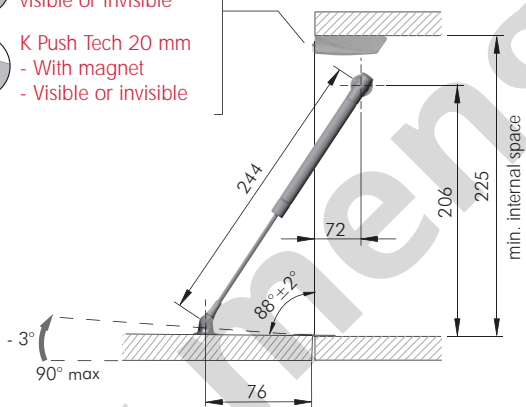


Magnet K Lock
visible or invisible



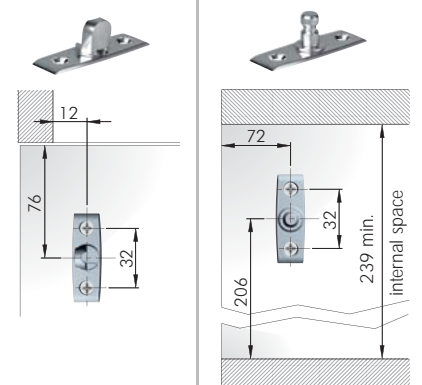
K Push Tech 20 mm
- With magnet
- Visible or invisible

For details refer to section
"PUSH CATCHES & MAGNETIC CATCHES".



Opening angle adjustment is possible only with K12 SYSTEM ADJ version.
⚠ Overcrossing 90° door opening angle, it negatively effects the flap hinges.

SCREW FIXING BRACKETS:



Bracket not available for
K12 SYSTEM ADJ

L 355 mm

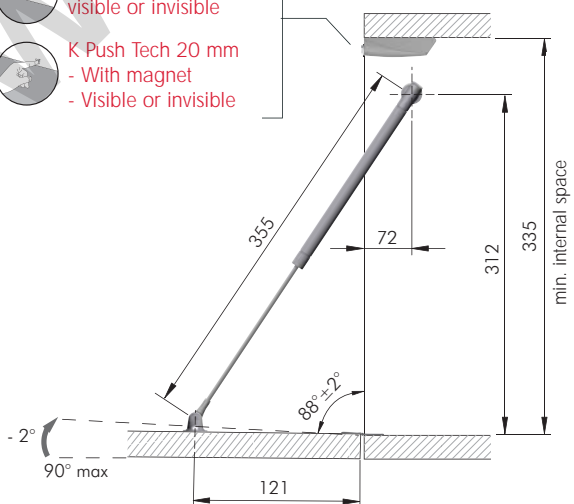


Magnet K Lock
visible or invisible



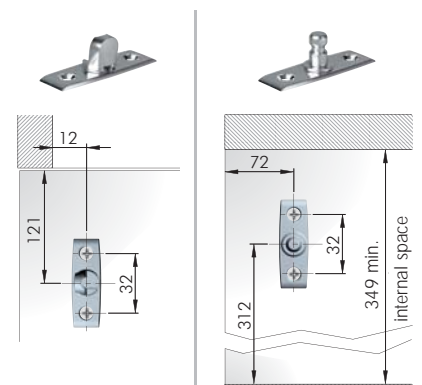
K Push Tech 20 mm
- With magnet
- Visible or invisible

For details refer to section
"PUSH CATCHES & MAGNETIC CATCHES".



Opening angle adjustment is possible only with K12 SYSTEM ADJ version.
⚠ Overcrossing 90° door opening angle, it negatively effects the flap hinges.

SCREW FIXING BRACKETS:



Bracket not available for
K12 SYSTEM ADJ