

CABINET HINGE "EASY"

Application:

Zamak cabinet hinge w/stainless steel axle.
180 degree opening. For inset doors.
With adjustable catch function & visible axle.
Easy installation. No milling/cutting required.

Material: Zamak – Chrome plated or black matt

Size: 50 x 56,5 mm

Door thickness: 8-10 or 14-16 mm

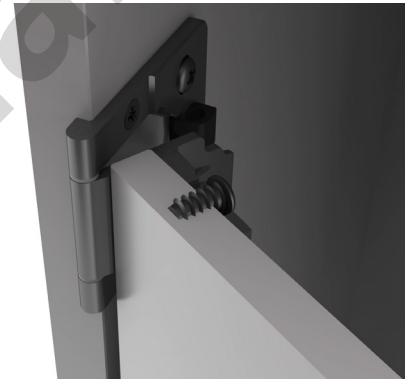
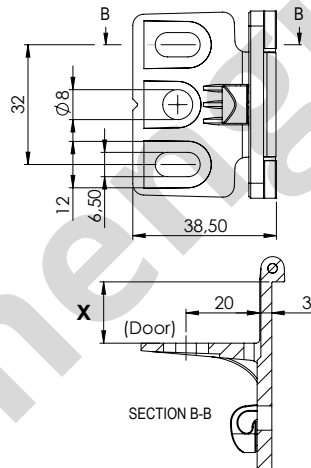
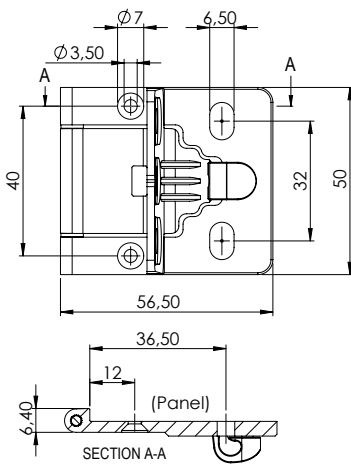
Item No.:

8–10 mm – Chrome plated	# 15.04.105
8–10 mm – Black matt	# 15.04.106
14–16 mm – Chrome plated	# 15.04.110
14–16 mm – Black matt	# 15.04.111

Incl. 4 Euro Screws $\varnothing 6,3 \times 10\text{mm}$ + 2 CSK Steel Screws $3,5 \times 10\text{mm}$ & 2 Black or White PA6 Gaskets - 1mm



Catch adjustment



Item:	"X" Door thickness:
15.04.105/15.04.106	8 - 10 mm.
15.04.110/15.04.111	14 - 16 mm.

