

INSET GLASS DOOR HINGE

L=R

GH34-0



Features

Hinge for glass/acrylic doors.

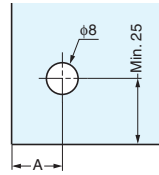
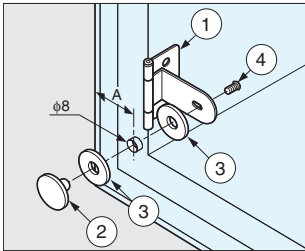
Recommended Screw

Countersunk tapping screw 3 / Countersunk wood screw 3.1 / Countersunk screw pan head M3

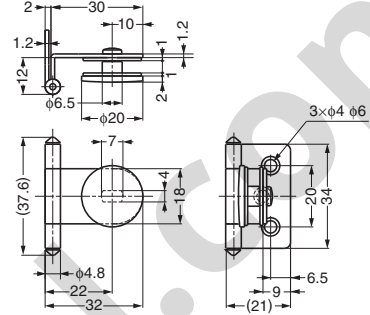
Remarks

- Recommended for use in pairs.
- Please consider using tempered glass depending on glass size, application, and environment.
- When mounting on sheet metal, make a relief cut for screws/rivets on the mounting surface.

Cut Out Dimensions



| Glass Thickness | A |
|-----------------|----|
| 4 | 19 |
| 5 | 18 |
| 6 | 17 |



| No. | Part Name | Material | Finish/Colour |
|-----|-----------|--------------------------------|----------------------------------|
| ① | Body | Steel | Chrome, Paint/Black, Gold, Clear |
| ② | Plate | Zinc Alloy (ZDC) | Chrome, Paint/Black, Gold, Clear |
| ③ | Washer | Polyvinyl Chloride Resin (PVC) | Clear |
| ④ | Screw* | Steel | Nickel, Paint/Black, Gold, Clear |

*Cross-recessed binding pan head screw M3.5 x 6

| Item Code | Item Name | Finish | Door Width | Door Height | Glass Thickness | Door Weight | Weight | Box | Carton |
|-------------|-----------|--------|------------|-------------|-----------------|-----------------|--------|--------|---------|
| 170-083-513 | GH34-0CR | Chrome | Max. 450 | Max. 700 | 4, 5, 6 | Max. 4 kg/2 pcs | 23.5 g | 50 pcs | 500 pcs |

www.menng.com