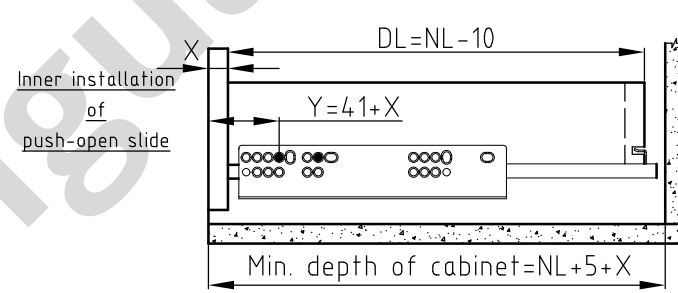
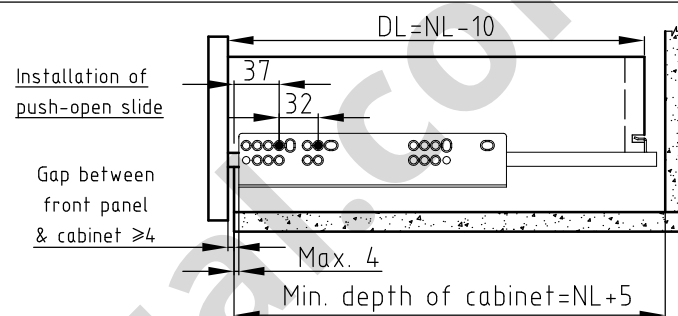
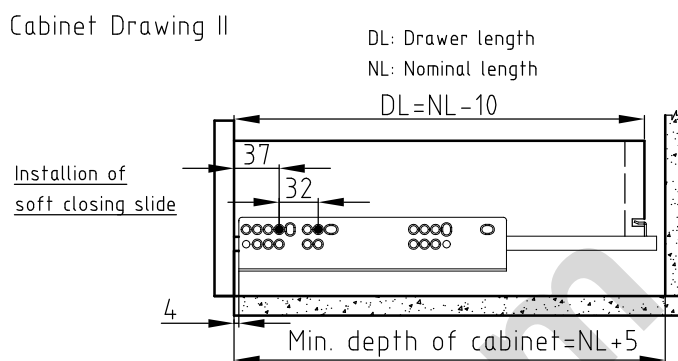
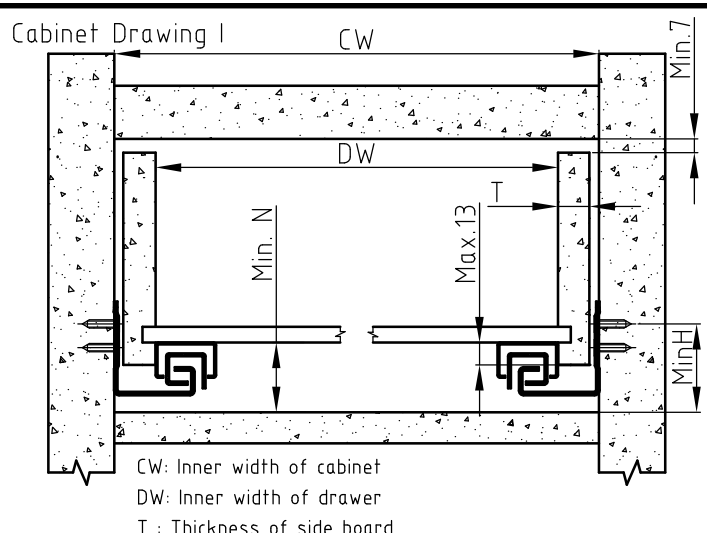


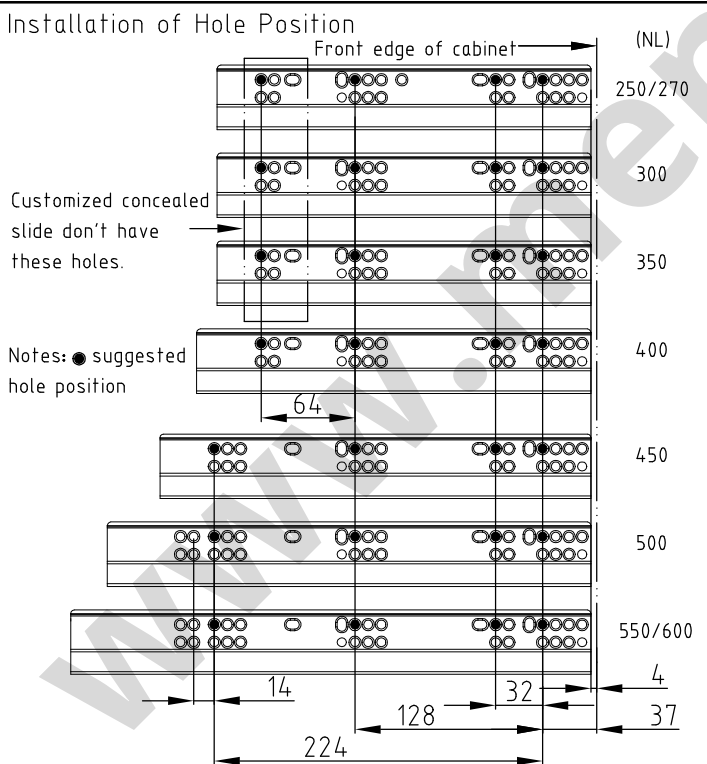
Installation Instruction of Full-extension Concealed Slide with Synchronized System

Loading Capacity: 30 KG

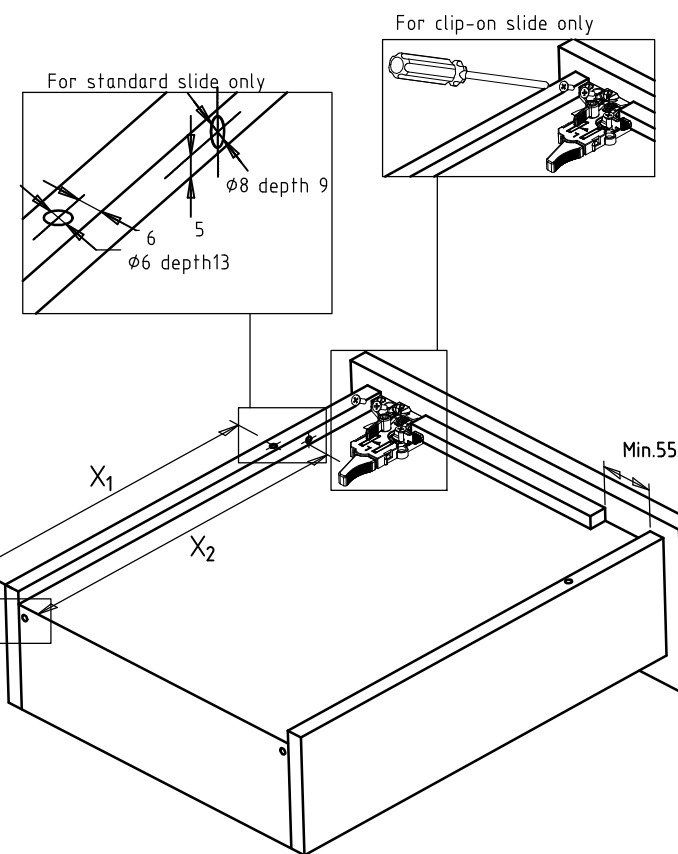
Side Board Thickness of drawer: ≤16,18,19 mm



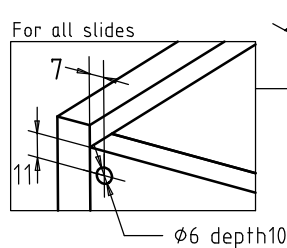
T	DW	For example	Concealed slide	Huggen slide
			N	H
≤16	=CW-4 _{-1.5} ⁰	CW=564 and DW=522~523.5	37	40
18	=CW-4 _{-1.5} ⁰	CW=564 and DW=518~519.5	35	38
19	=CW-4 _{-1.5} ⁰	CW=564 and DW=516~517.5	34	37



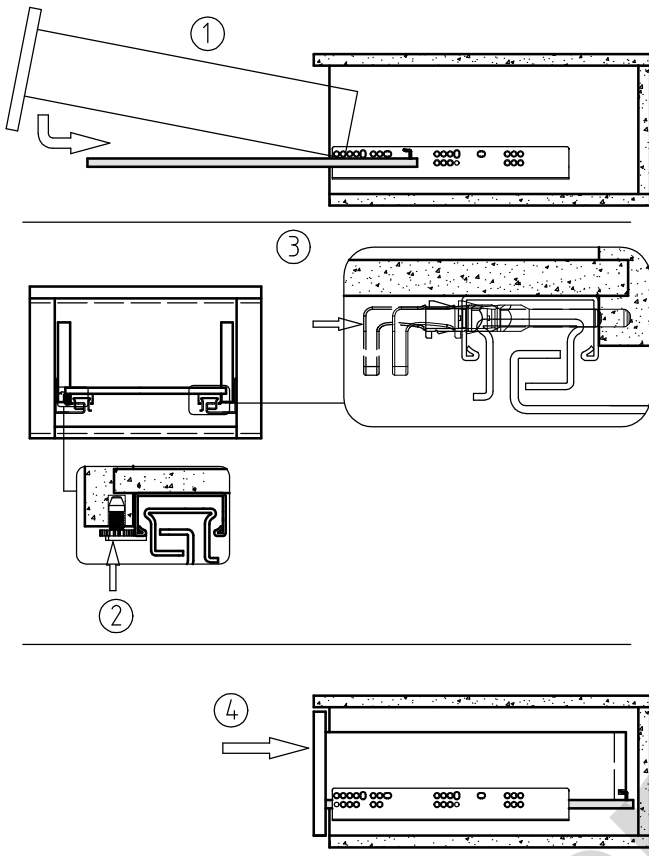
Processing Drawing of Drawer



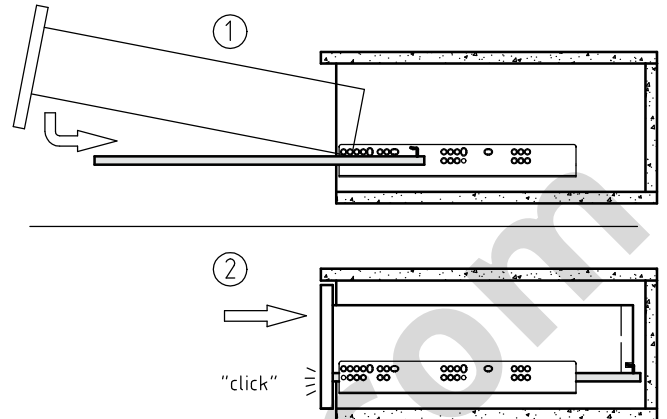
NL	X ₁ (mm)	X ₂ (mm)
250	205	225
270	205	248
300	230	275
350	275	320
400	300	376
450	335	421
500	360	466
550	405	511
600	455	561



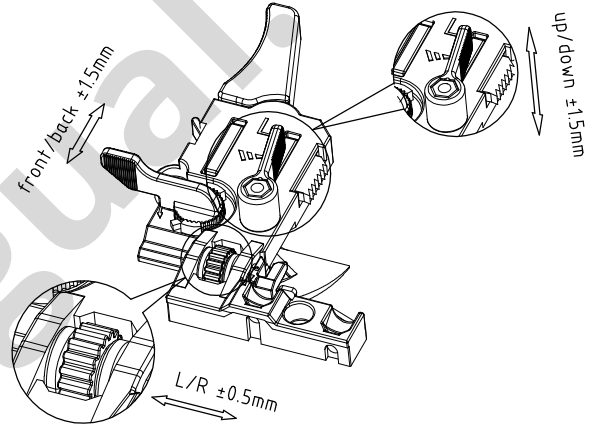
Drawer Installation (Standard Slide)



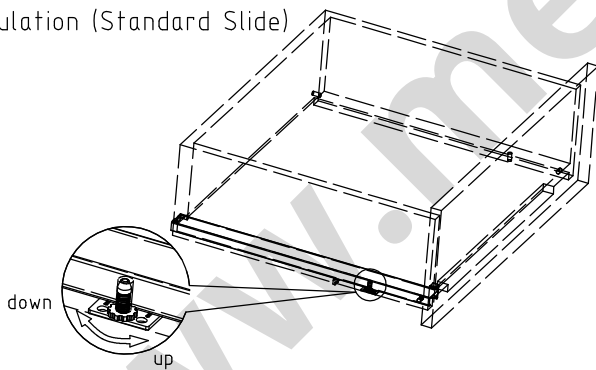
Drawer Installation (Clip-on Slide)



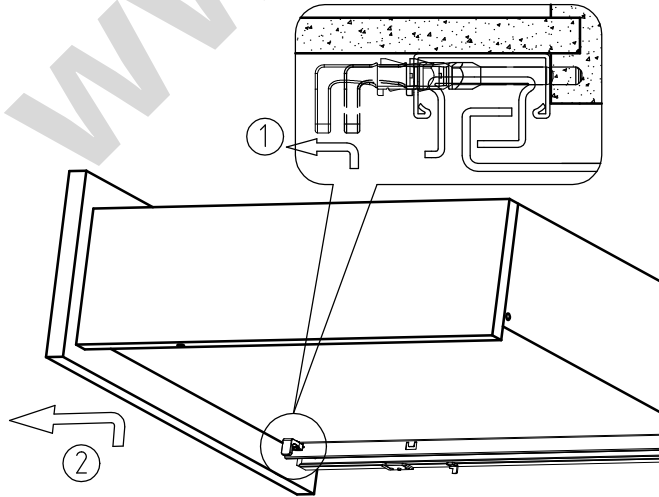
Regulation (Clip-on Slide)



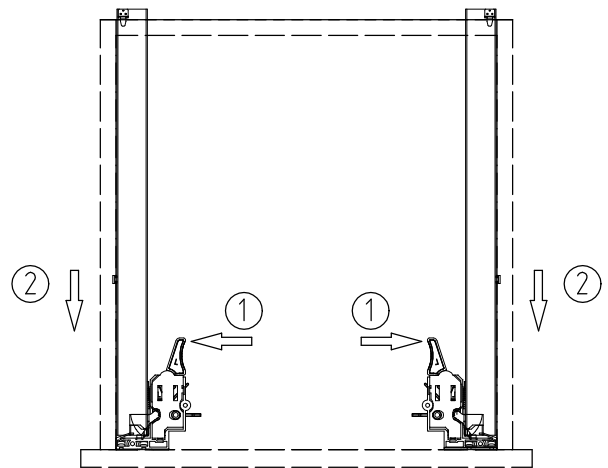
Regulation (Standard Slide)



Disassembling (Standard Slide)



Disassembling (Clip-on Slide)



Notes:

- a) Runner doesn't work steadily or pulse?
Keep slides away from wood chips or other scraps during installation.
- b) Runner doesn't work smoothly?
Make sure cabinet and drawer are up to the standard;
make sure cabinet and drawer are rectangular;
make sure slides at the same level;
- c) The clip-on function lost? Drawer can't close perfectly?
Make sure the slide at the right position on the fore-and-aft direction;
- e) Drawer can't be disassembled?
Make sure clip-on handle is open and locking pin is pull out.
- ※ f) Push open space is not enough?
Make sure the cabinet and slide are horizontal.
- ※ g) Drawer can't push open?
Make sure push-open gap is more than 4mm.

Notes: ※for push-open concealed slide only.