

INNER DRAWER
 内抽

INNER DRAWER ACCESSORIES
 内抽配件

SIDE PANEL HEIGHT 侧帮高度	ACCESSORIES REQUIRED 所需配件
84	(A) + (B)
116	(A) + (B) + (C)
167	(A) + (B) + (C)
199	(A) + (B) + (C)


(A) 05B.023FM

Front Connector for
Inner Drawer
内抽前接码



Front Connector for Inner Drawer
Material: Zinc Alloy
Unit: 2pcs / Set
Color: Grey & White
Size: 84mm, 116mm, 167mm, 199mm

内抽前接码
材质: 锌合金
单位: 2只/套
颜色: 灰, 白
尺寸: 84mm, 116mm, 167mm,

(B) 05B.023FB

Front Panel for
Inner Drawer
内抽前面板



Front Panel for Inner Drawer
Material: Aluminum
Unit: Pcs
Color: Grey & White
Size: 600mm/pcs, 1200mm/pcs

Notes: to be cut according to the width
of the drawer

内抽前面板
材质: 铝
单位: 片
颜色: 灰, 白
尺寸: 600mm/片, 1200mm/片

备注: 使用时根据抽屉的宽度需要裁切

L=1200mm

(C) 05B.023J

Front Square Railing for
Inner Drawer
内抽前面板方杆



Front Square Railing for Inner Drawer
Material: Aluminum
Unit: Pcs
Color: Grey & White
Size: 600mm/pcs, 1200mm/pcs

Notes: to be cut according to the width
of the drawer

内抽前面板方杆
材质: 铝
单位: 片
颜色: 灰, 白
尺寸: 600mm/片, 1200mm/片

备注: 使用时根据抽屉的宽度需要裁切

L=1200mm

SLIM METAL BOX 023/025

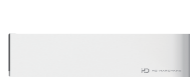
16MM BOARD

84 MM HEIGHT INNER DRAWER

023 025 系列内抽 16 板骑马抽 (84mm)



Dark Grey Matt 星空灰



White Matt 丝光白

FEATURES

特性

023 | 2D

2D Adjustment Function
2D 调节

025 | 3D

3D Adjustment Function
3D 调节

Slide

- Soft-closing + Synchronization
- Full Extension
- Piston Durable: 120,000 times
- Bearing Durable: 45KG @ 50,000 Times, 35KG @ 80,000 Times
- Thickness: 1.5 x 2.0 x 1.5
- Material: Galvanized Steel
- Length: 250 / 270 / 300 / 350 / 400 / 450 / 500 / 550

滑轨

- 缓冲 + 同步
- 全展
- 缓冲油杆使用寿命: 120,000 次
- 承重能力与使用寿命: 45KG @ 5 万次, 35KG @ 8 万次
- 滑轨厚度: 1.5 x 2.0 x 1.5
- 滑轨材质: 镀锌钢
- 滑轨长度: 250 / 270 / 300 / 350 / 400 / 450 / 500 / 550 mm

Panel

- Color: Dark Grey Matt, White Matt
- 2D Adjustment Function & 3D Adjustment Function
- Front Fixing Connector: Zinc Alloy Plated with Nickel
- Side Panel Material: Cold Rolled Steel
- Inner Drawer Function: Support
- Height: 84 / 116 / 167 / 199

侧帮

- 可选颜色: 星空灰, 丝光白
- 可选功能: 2D 调节, 3D 调节
- 前接码: 锌合金 + 镍
- 侧帮材质: 冷轧钢
- 支持内抽功能
- 可选高度: 84 / 116 / 167 / 199 mm

Wooden Board

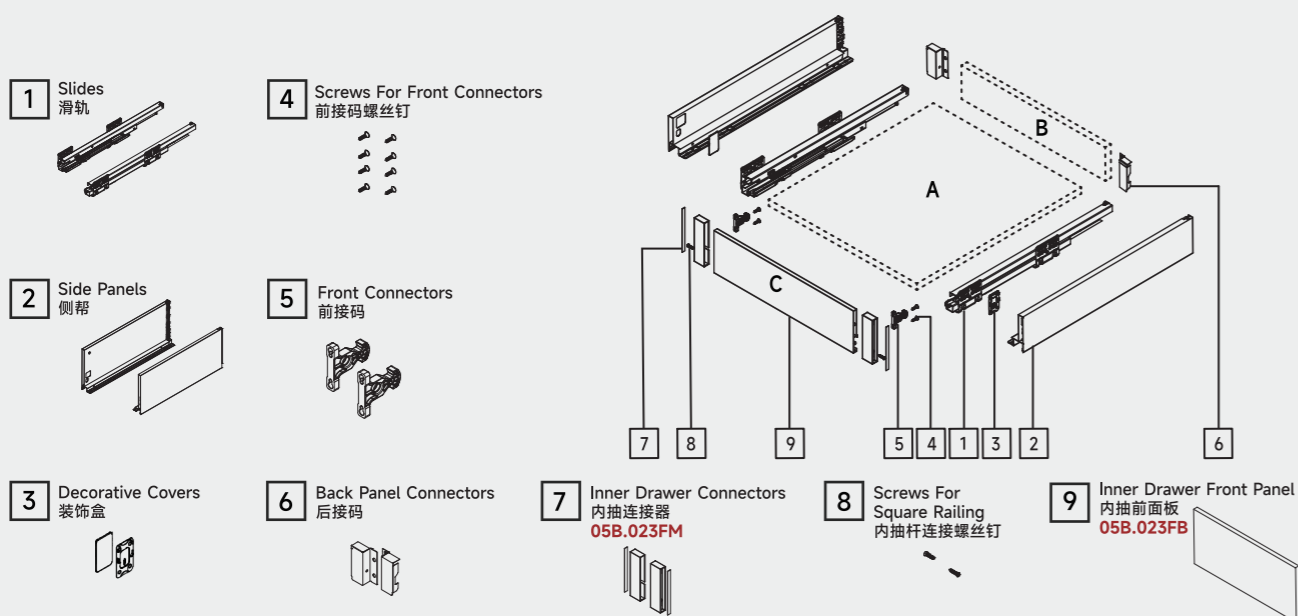
- Available Board Materials: Wooden Board
- Thickness: 16mm & 18mm

抽屉适用材料

- 适用板材: 木板
- 适用厚度: 16mm 及 18mm

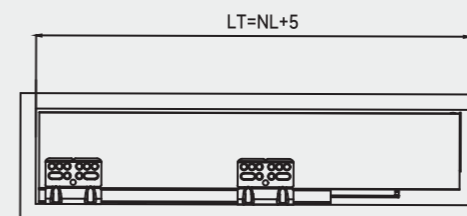
LENGTH 尺寸	ART.NO. 型号 023 2D	ART.NO. 型号 025 3D
250MM	05B.01.023-G/W84-250	05B.01.025-G/W84-250
270MM	05B.01.023-G/W84-270	05B.01.025-G/W84-270
300MM	05B.01.023-G/W84-300	05B.01.025-G/W84-300
350MM	05B.01.023-G/W84-350	05B.01.025-G/W84-350
400MM	05B.01.023-G/W84-400	05B.01.025-G/W84-400
450MM	05B.01.023-G/W84-450	05B.01.025-G/W84-450
500MM	05B.01.023-G/W84-500	05B.01.025-G/W84-500
550MM	05B.01.023-G/W84-550	05B.01.025-G/W84-550

COMPONENTS \ 组件

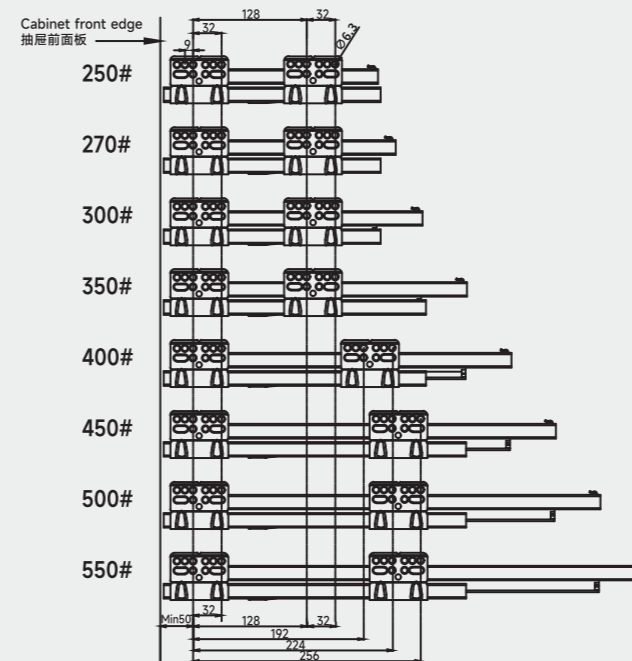


DRAWER DEPTH \ 抽屉尺寸

Depth Space For Installation 安装深度
LT = Minimum Cabinet Depth 最小抽屉深度

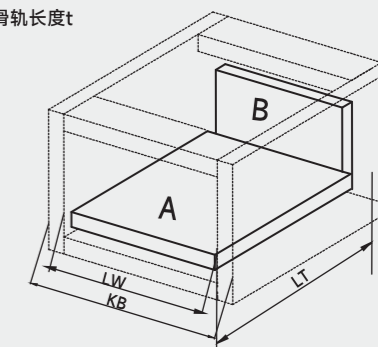


NL = 250-550

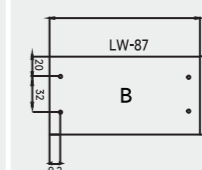


WOODEN PANELS CUTTING DIMENSIONS \ 木料开板尺寸

KB = Outer Width Of Cabinet 抽屉外宽
LW = Inner Width Of Cabinet 抽屉内宽
NL = Nominal Length 滑轨长度



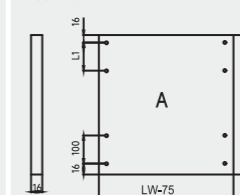
Back Panel 抽屉背抽



Front Panel 抽屉前面板



Bottom Panel 抽屉底板

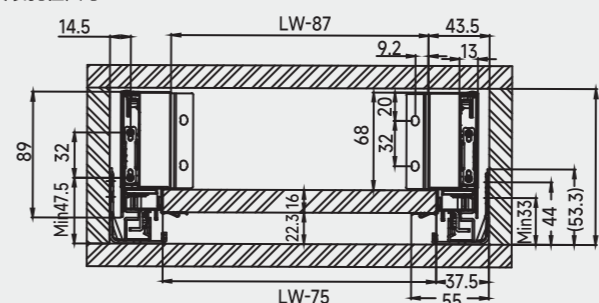


Height	84
H(mm)	84

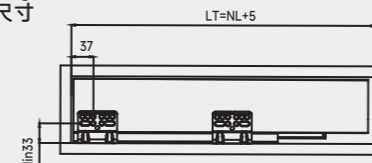
NL	250	270	300	350	400	450	500	550
L1(mm)	0	0	0	100	100	100	100	100

INSTALLATION \ 安装

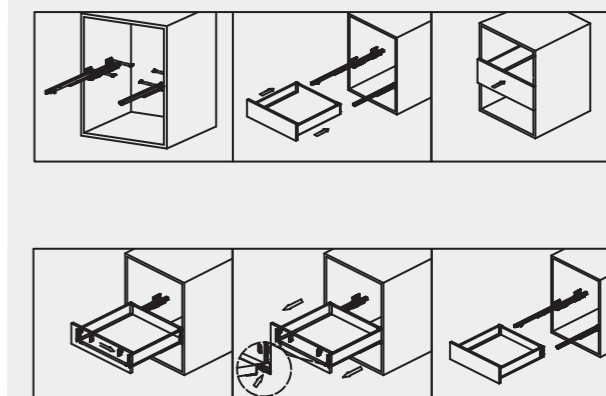
Panels Mounting Distance 侧帮安装孔位尺寸



Slides Mounting Distance 滑轨安装孔位尺寸



Drawer Installation 抽屉安装步骤



SLIM METAL BOX 023/025

16MM BOARD

116 MM HEIGHT INNER DRAWER

023 025 系列内抽 16 板骑马抽 (116mm)

FEATURES

特性

023 2D

2D Adjustment Function
2D 调节

025 3D

3D Adjustment Function
3D 调节

Slide

- Soft-closing + Synchronization
- Full Extension
- Piston Durable: 120,000 times
- Bearing Durable: 45KG @ 50,000 Times, 35KG @ 80,000 Times

- Thickness: 1.5 x 2.0 x 1.5
- Material: Galvanized Steel
- Length: 250 / 270 / 300 / 350 / 400 / 450 / 500 / 550

滑轨

- 缓冲 + 同步
- 全展
- 缓冲油杆使用寿命: 120,000 次
- 承重能力与使用寿命: 45KG @ 5 万次, 35KG @ 8 万次

- 滑轨厚度: 1.5 x 2.0 x 1.5
- 滑轨材质: 镀锌钢
- 滑轨长度: 250 / 270 / 300 / 350 / 400 / 450 / 500 / 550 mm

Panel

- Color: Dark Grey Matt, White Matt
- 2D Adjustment Function & 3D Adjustment Function
- Front Fixing Connector: Zinc Alloy Plated with Nickel
- Side Panel Material: Cold Rolled Steel
- Inner Drawer Function: Support
- Height: 84 / 116 / 167 / 199

侧帮

- 可选颜色: 星空灰, 丝光白
- 可选功能: 2D 调节, 3D 调节
- 前接码: 锌合金 + 镍
- 侧帮材质: 冷轧钢
- 支持内抽功能
- 可选高度: 84 / 116 / 167 / 199 mm

Wooden Board

- Available Board Materials: Wooden Board
- Thickness: 16mm & 18mm

抽屉适用材料

- 适用板材: 木板
- 适用厚度: 16mm 及 18mm



Dark Grey Matt 星空灰

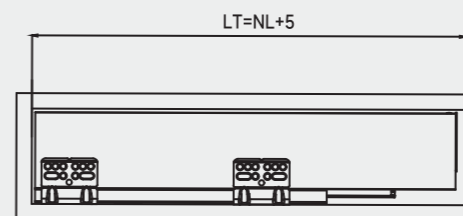


White Matt 丝光白

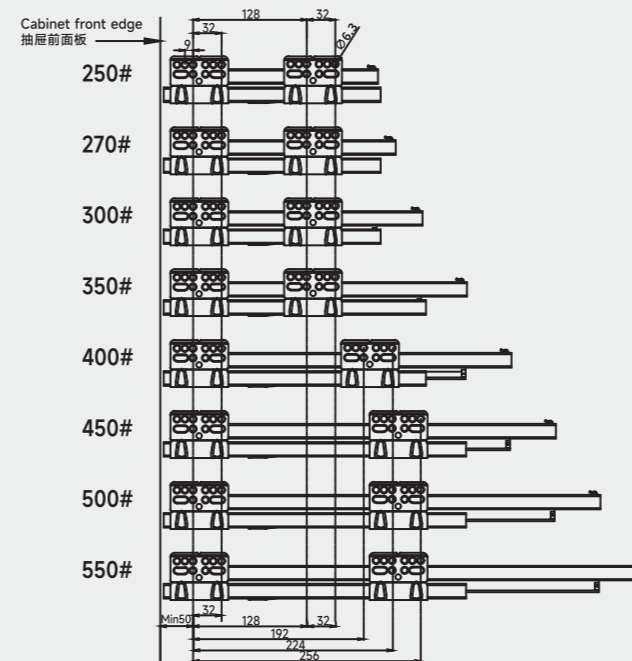
LENGTH 尺寸	ART.NO. 型号 023 2D	ART.NO. 型号 025 3D
250MM	05B.01.023-G/W116-250	05B.01.025-G/W116-250
270MM	05B.01.023-G/W116-270	05B.01.025-G/W116-270
300MM	05B.01.023-G/W116-300	05B.01.025-G/W116-300
350MM	05B.01.023-G/W116-350	05B.01.025-G/W116-350
400MM	05B.01.023-G/W116-400	05B.01.025-G/W116-400
450MM	05B.01.023-G/W116-450	05B.01.025-G/W116-450
500MM	05B.01.023-G/W116-500	05B.01.025-G/W116-500
550MM	05B.01.023-G/W116-550	05B.01.025-G/W116-550

DRAWER DEPTH \ 抽屉尺寸

Depth Space For Installation 安装深度
LT = Minimum Cabinet Depth 最小抽屉深度

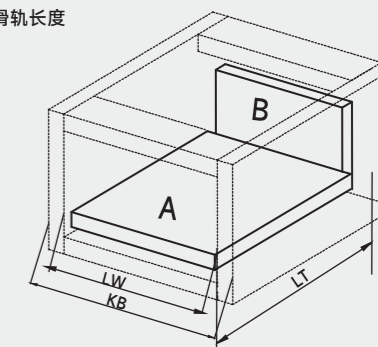


NL = 250-550

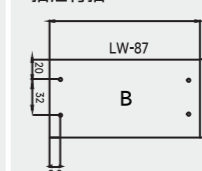


WOODEN PANELS CUTTING DIMENSIONS \ 木料开板尺寸

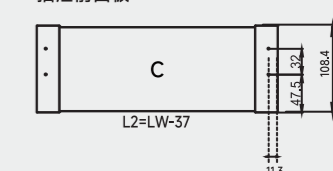
KB = Outer Width Of Cabinet 抽屉外宽
LW = Inner Width Of Cabinet 抽屉内宽
NL = Nominal Length 滑轨长度



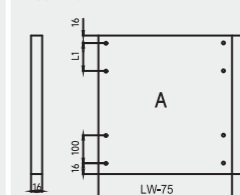
Back Panel 抽屉背抽



Front Panel 抽屉前面板



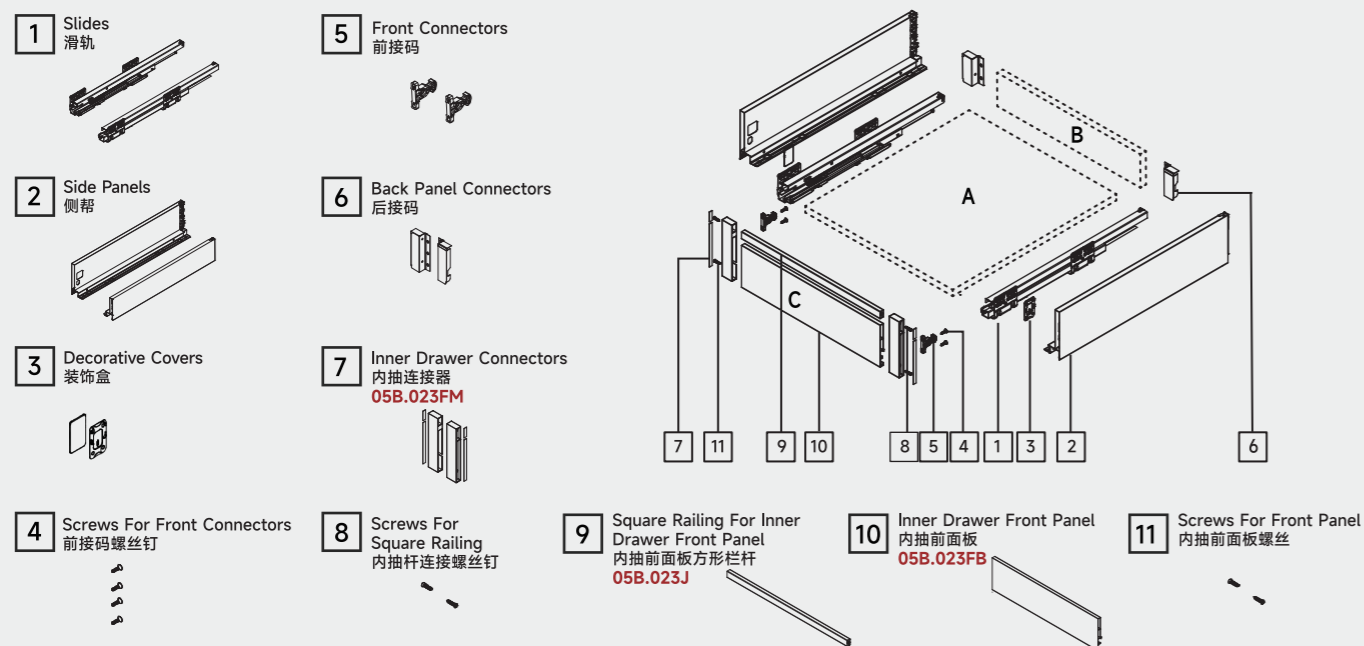
Bottom Panel 抽屉底板



Height	116
H(mm)	116

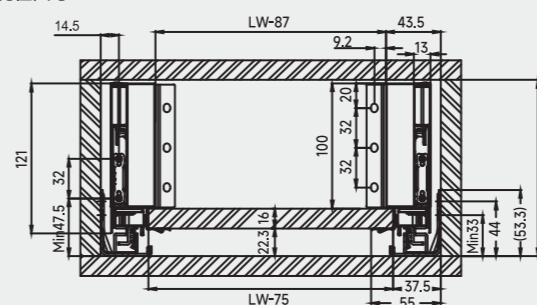
NL	250	270	300	350	400	450	500	550
L1(mm)	0	0	0	100	100	100	100	100

COMPONENTS \ 组件

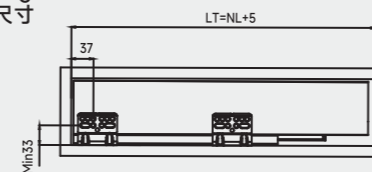


INSTALLATION \ 安装

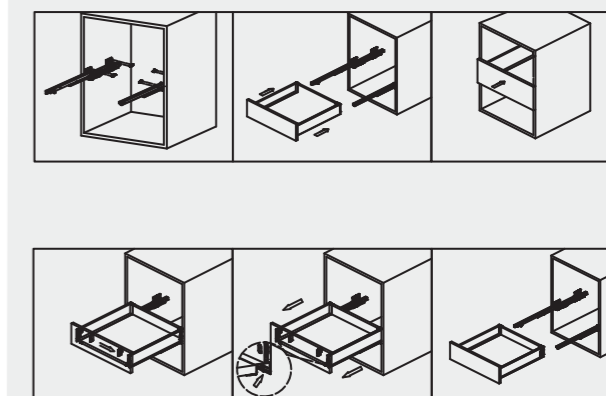
Panels Mounting Distance 侧帮安装孔位尺寸



Slides Mounting Distance 滑轨安装孔位尺寸



Drawer Installation 抽屉安装步骤



SLIM METAL BOX 023/025

16MM BOARD

167 MM HEIGHT INNER DRAWER

023 025 系列内抽 16 板骑马抽 (167mm)



Dark Grey Matt 星空灰

White Matt 丝光白

FEATURES

特性

023 | 2D

2D Adjustment Function
2D 调节

025 | 3D

3D Adjustment Function
3D 调节

Slide

- Soft-closing + Synchronization
- Full Extension
- Piston Durable: 120,000 times
- Bearing Durable: 45KG @ 50,000 Times, 35KG @ 80,000 Times
- Thickness: 1.5 x 2.0 x 1.5
- Material: Galvanized Steel
- Length: 250 / 270 / 300 / 350 / 400 / 450 / 500 / 550

滑轨

- 缓冲 + 同步
- 全展
- 缓冲油杆使用寿命: 120,000 次
- 承重能力与使用寿命: 45KG @ 5 万次, 35KG @ 8 万次
- 滑轨厚度: 1.5 x 2.0 x 1.5
- 滑轨材质: 镀锌钢
- 滑轨长度: 250 / 270 / 300 / 350 / 400 / 450 / 500 / 550 mm

Panel

- Color: Dark Grey Matt, White Matt
- 2D Adjustment Function & 3D Adjustment Function
- Front Fixing Connector: Zinc Alloy Plated with Nickel
- Side Panel Material: Cold Rolled Steel
- Inner Drawer Function: Support
- Height: 84 / 116 / 167 / 199

侧帮

- 可选颜色: 星空灰, 丝光白
- 可选功能: 2D 调节, 3D 调节
- 前接码: 锌合金 + 镍
- 侧帮材质: 冷轧钢
- 支持内抽功能
- 可选高度: 84 / 116 / 167 / 199 mm

Wooden Board

- Available Board Materials: Wooden Board
- Thickness: 16mm & 18mm

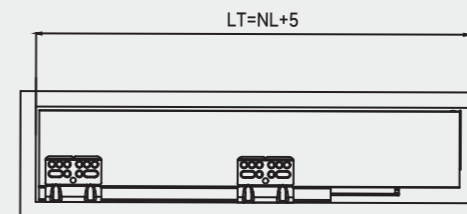
抽屉适用材料

- 适用板材: 木板
- 适用厚度: 16mm 及 18mm

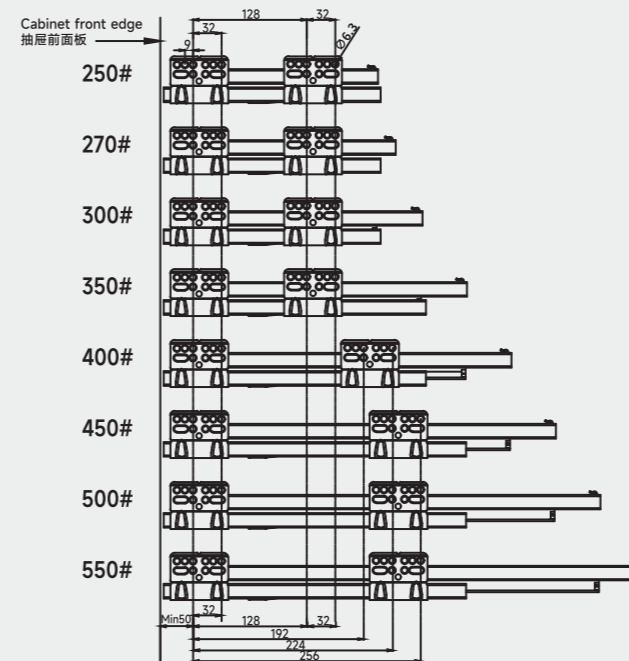
LENGTH 尺寸	ART.NO. 型号 023 2D	ART.NO. 型号 025 3D
250MM	05B.01.023-G/W167-250	05B.01.025-G/W167-250
270MM	05B.01.023-G/W167-270	05B.01.025-G/W167-270
300MM	05B.01.023-G/W167-300	05B.01.025-G/W167-300
350MM	05B.01.023-G/W167-350	05B.01.025-G/W167-350
400MM	05B.01.023-G/W167-400	05B.01.025-G/W167-400
450MM	05B.01.023-G/W167-450	05B.01.025-G/W167-450
500MM	05B.01.023-G/W167-500	05B.01.025-G/W167-500
550MM	05B.01.023-G/W167-550	05B.01.025-G/W167-550

DRAWER DEPTH \ 抽屉尺寸

Depth Space For Installation 安装深度
LT = Minimum Cabinet Depth 最小抽屉深度

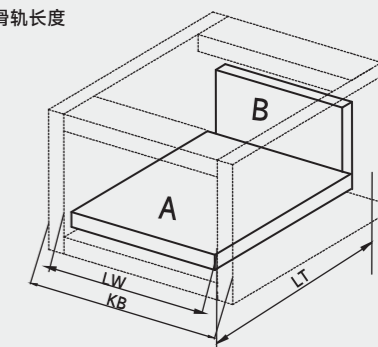


NL = 250-550

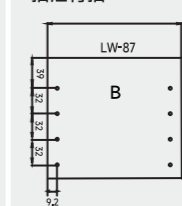


WOODEN PANELS CUTTING DIMENSIONS \ 木料开板尺寸

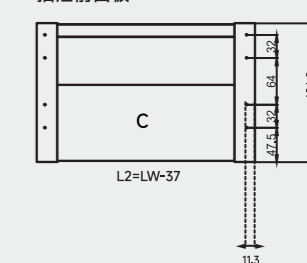
KB = Outer Width Of Cabinet 抽屉外宽
LW = Inner Width Of Cabinet 抽屉内宽
NL = Nominal Length 滑轨长度



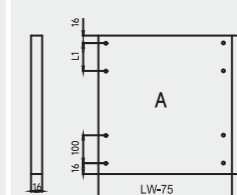
Back Panel 抽屉背抽



Front Panel 抽屉前面板



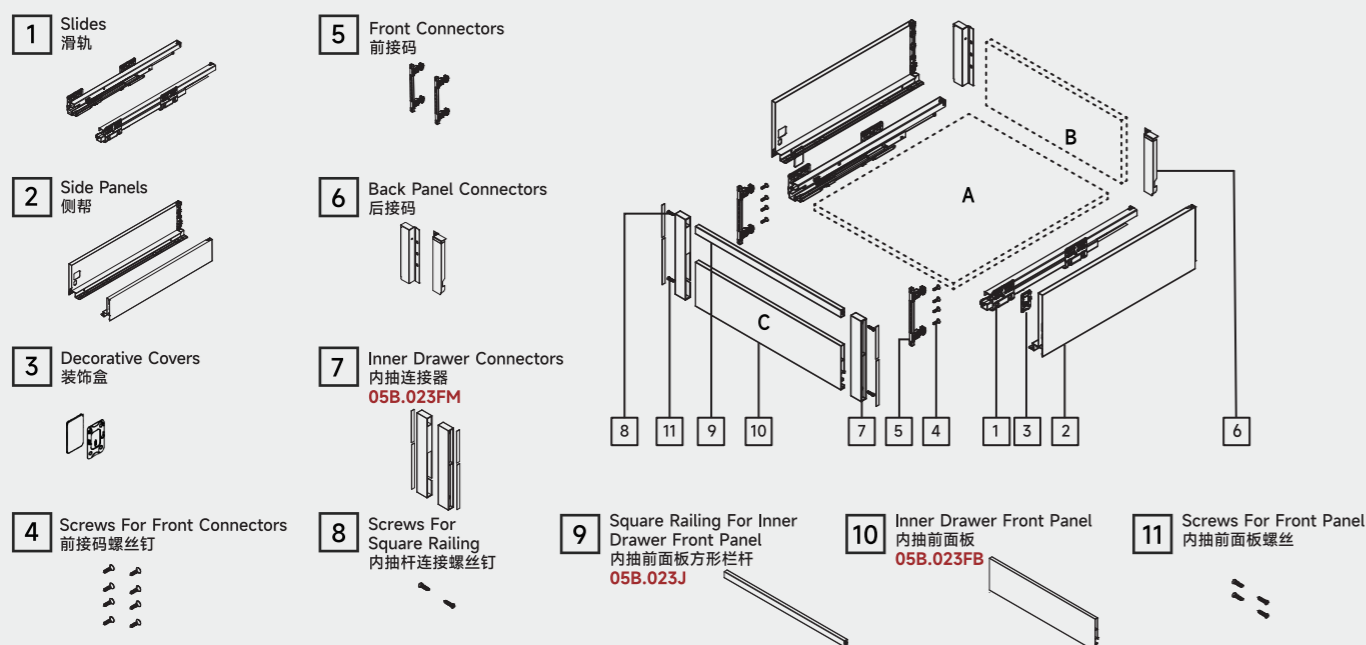
Bottom Panel 抽屉底板



Height	167
H(mm)	167

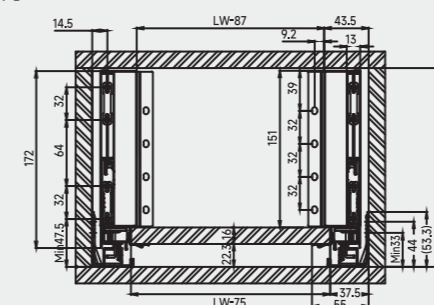
NL	250	270	300	350	400	450	500	550
L1(mm)	0	0	0	100	100	100	100	100

COMPONENTS \ 组件

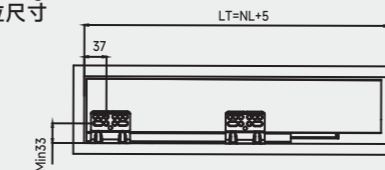


INSTALLATION \ 安装

Panels Mounting Distance 侧帮安装孔位尺寸



Slides Mounting Distance 滑轨安装孔位尺寸



Drawer Installation 抽屉安装步骤

