

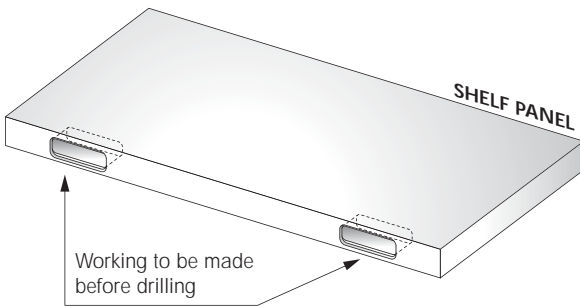


## DRILLING JIG FOR TRIADE

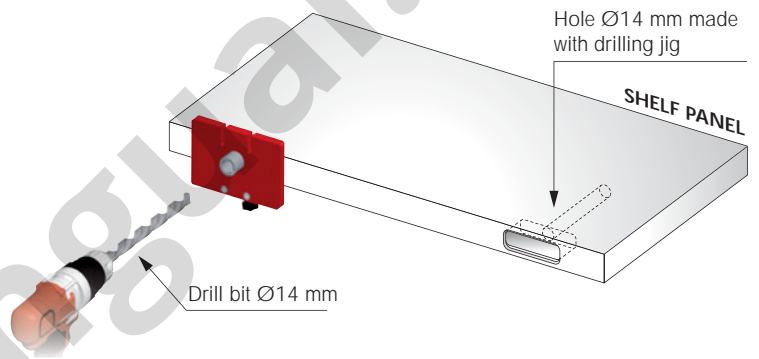


50 mm MAX

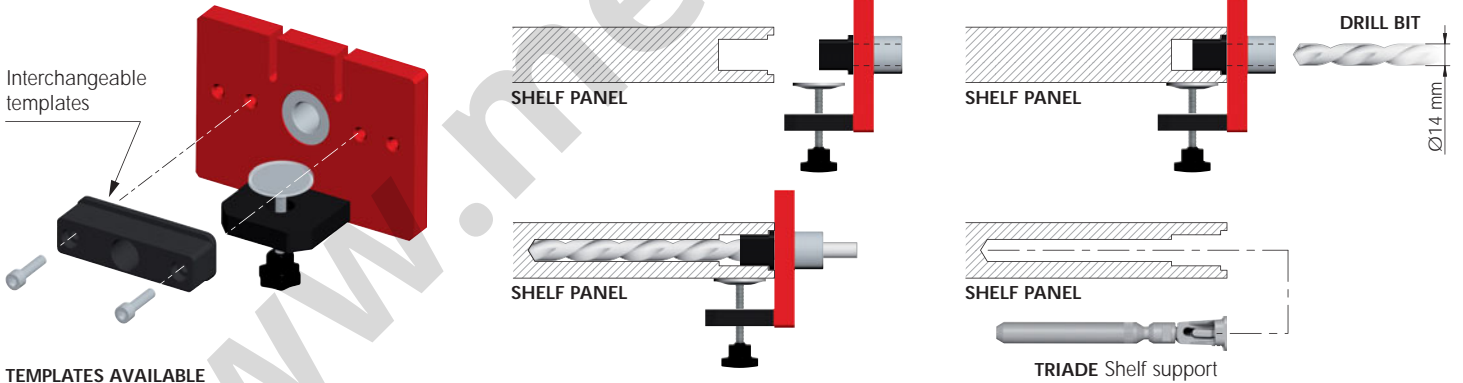
### GENERAL SPECIFICATIONS



Working to be made before drilling



### APPLICATION



### TEMPLATES AVAILABLE

TEMPLATE FOR TRIADE MINI Part no. YOJG013500	TEMPLATE FOR TRIADE Part no. YOJG013600	TEMPLATE FOR TRIADE MAXI Part no. YOJG013700	TEMPLATE FOR TRIADE MINI AND TRIADE ALUMINIUM PROFILE Part no. YOJG013800	TEMPLATE FOR TRIADE MAXI ALUMINIUM PROFILE Part no. YOJG013900
Triade Mini	Triade	Triade Maxi	Aluminium profile for Triade Mini and Triade	Aluminium profile for Triade Maxi
Triade Mini and Bracket	Triade and Bracket	Triade Maxi and Bracket	Triade Mini Triade	Triade Maxi

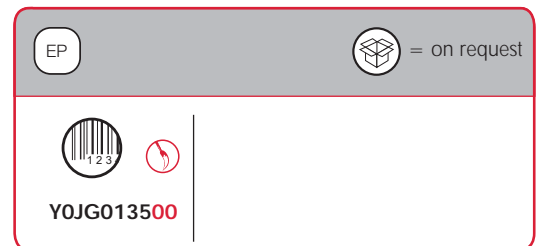
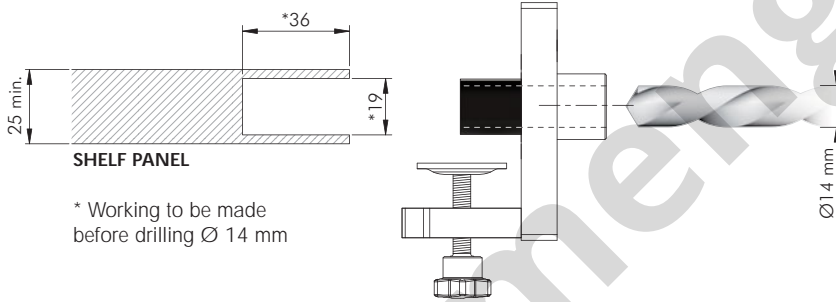


## TRIADE DRILLING JIG

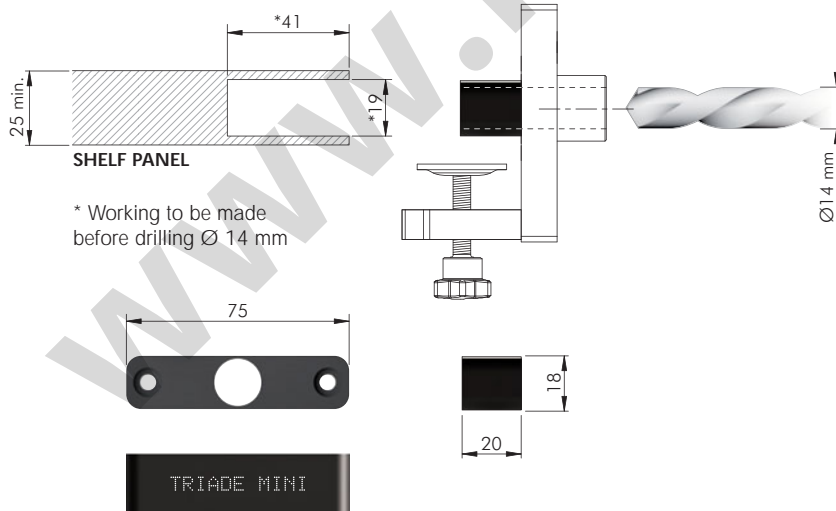


## TRIADE DRILLING JIG TEMPLATES

### TRIADE MINI DRILLING PLAN



### TRIADE MINI AND BRACKET DRILLING PLAN

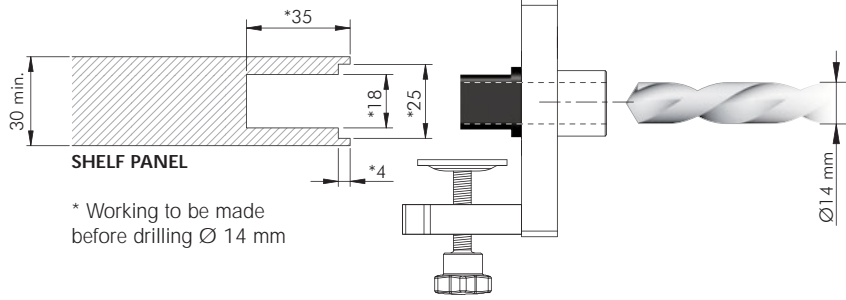


NOTE: The product code includes the fixing screws.

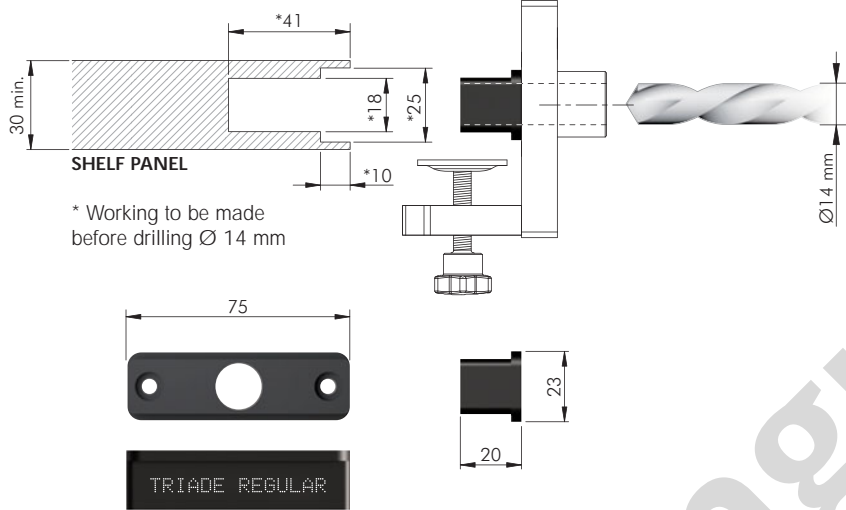




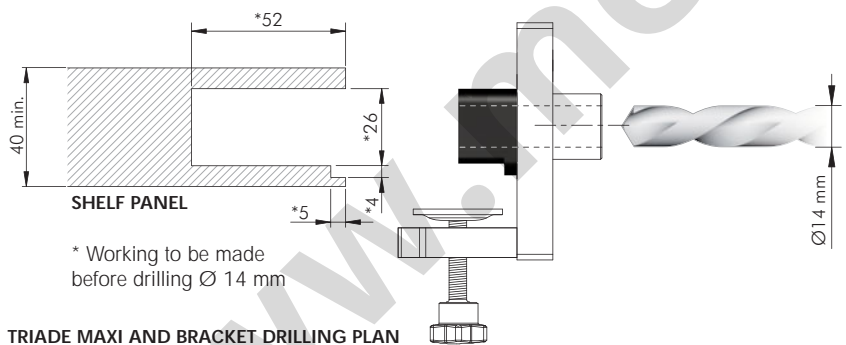
TRIADE DRILLING PLAN



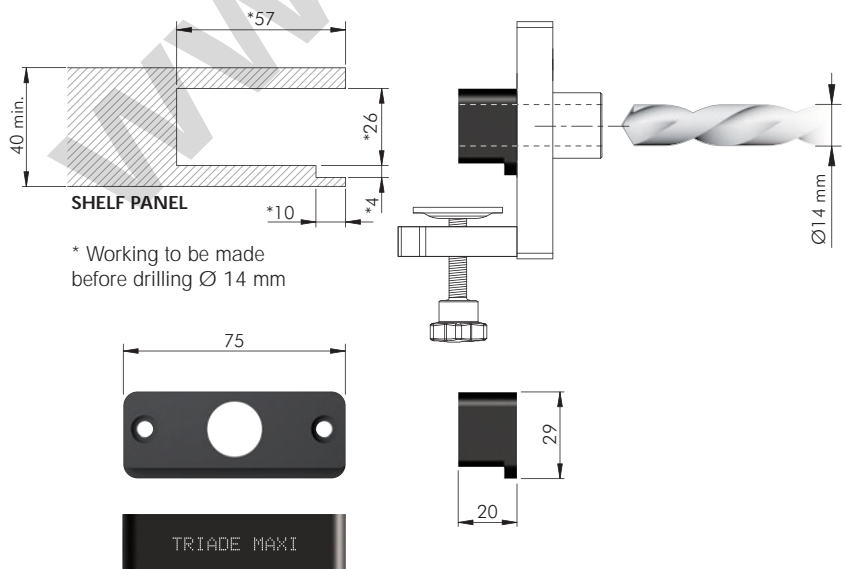
TRIADE AND BRACKET DRILLING PLAN



TRIADE MAXI DRILLING PLAN



TRIADE MAXI AND BRACKET DRILLING PLAN



EP = on request

**YOJG013600**

NOTE: The product code includes the fixing screws.



EP = on request

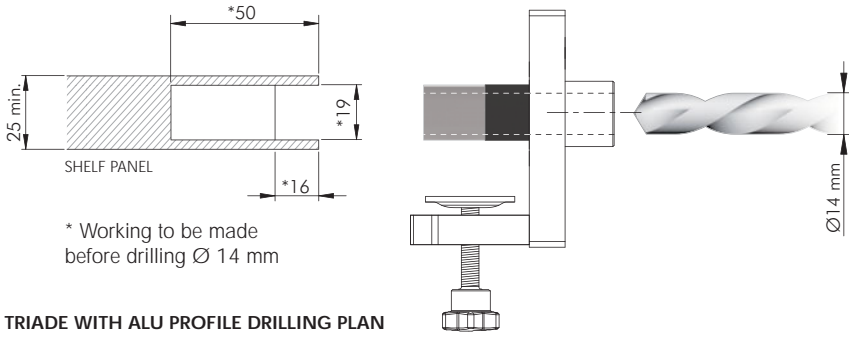
**YOJG013700**

NOTE: The product code includes the fixing screws.





**TRIADE MINI WITH ALU PROFILE DRILLING PLAN**

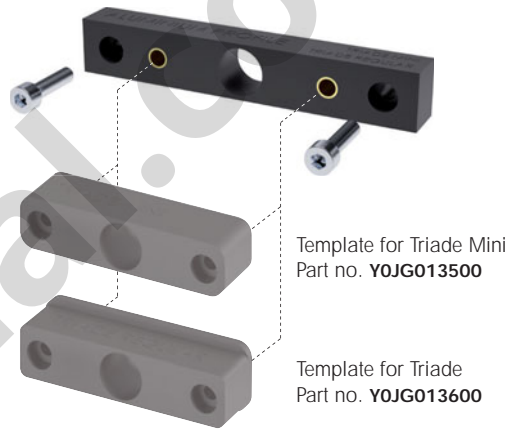
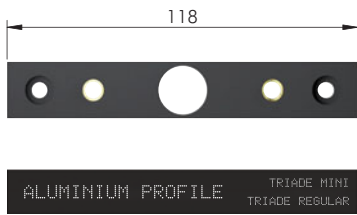
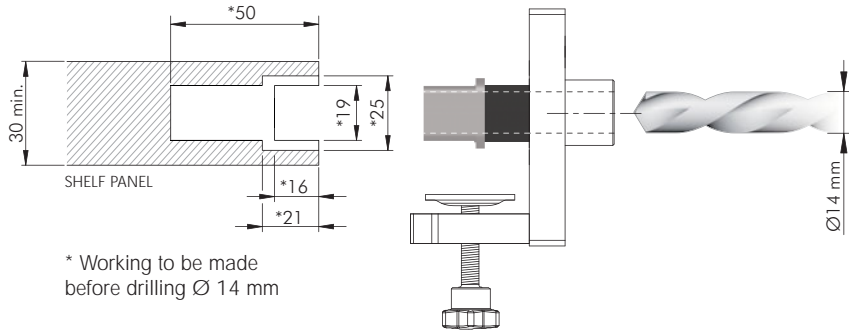


EP = on request

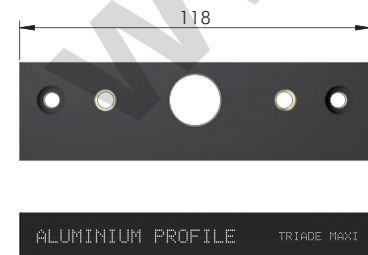
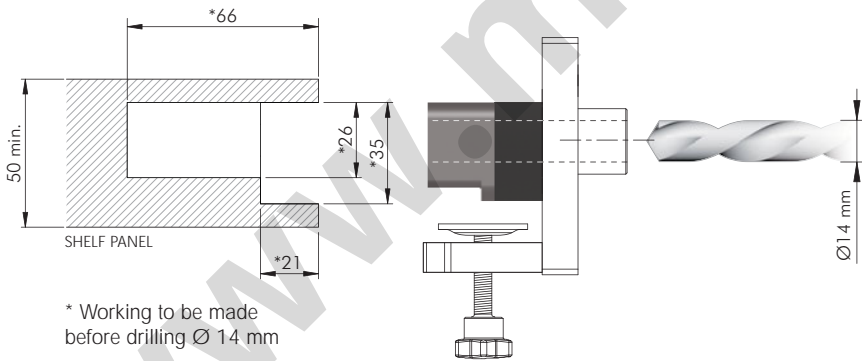
123

**YOJG013800**

**TRIADE WITH ALU PROFILE DRILLING PLAN**



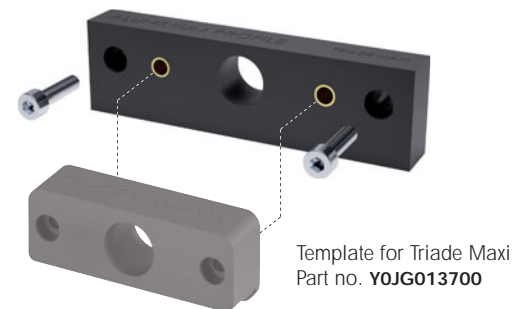
**TRIADE MAXI DRILLING PLAN**



EP = on request

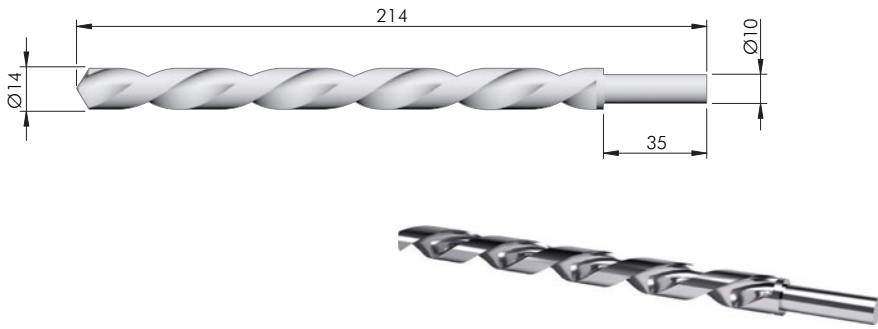
123

**YOJG013900**





## DRILL BIT



HSS	= on request
123	
<b>YOJG054000</b>	

NOTE: For drilling jig we recommend to use precision-ground steel drill bit HSS-G.

## COMPLETE KIT DRILLING JIG FOR TRIADE

CONTENT OF THE CASE:

- |            |            |
|------------|------------|
| Part no.   | Part no.   |
| YOJG0130RO | YOJG0133RO |
| YOJG013500 | YOJG055000 |
| YOJG013600 | YOJG054000 |
| YOJG013700 | YOJG054100 |
| YOJG013800 |            |
| YOJG013900 |            |

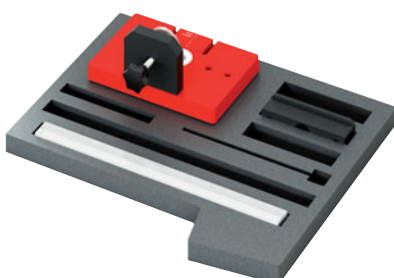


AL	ST	EP	= on request
123			
<b>YOJG0131RO</b>			

## BASE KIT DRILLING JIG TRIADE AND DRILL BIT (only template for Triade Regular)

CONTENT OF THE CASE:

- |            |
|------------|
| Part no.   |
| YOJG0130RO |
| YOJG013600 |
| YOJG054000 |



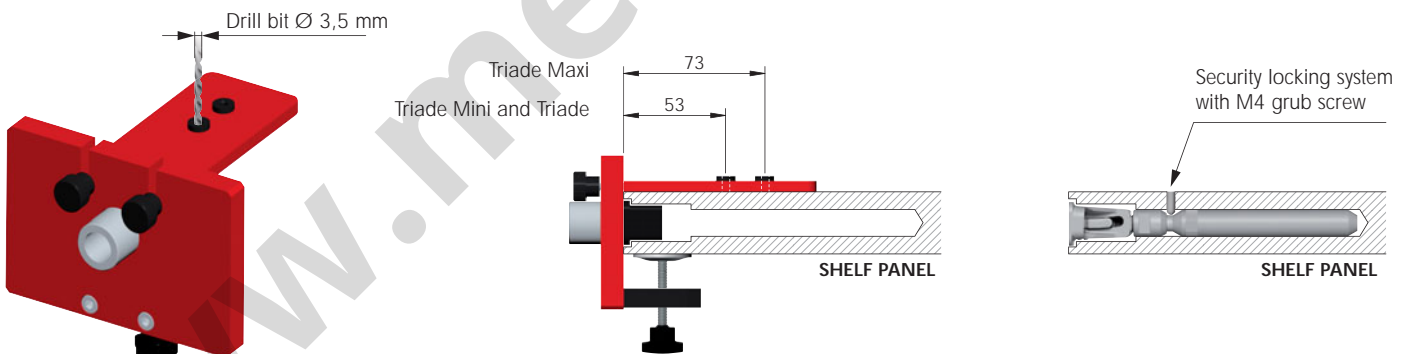
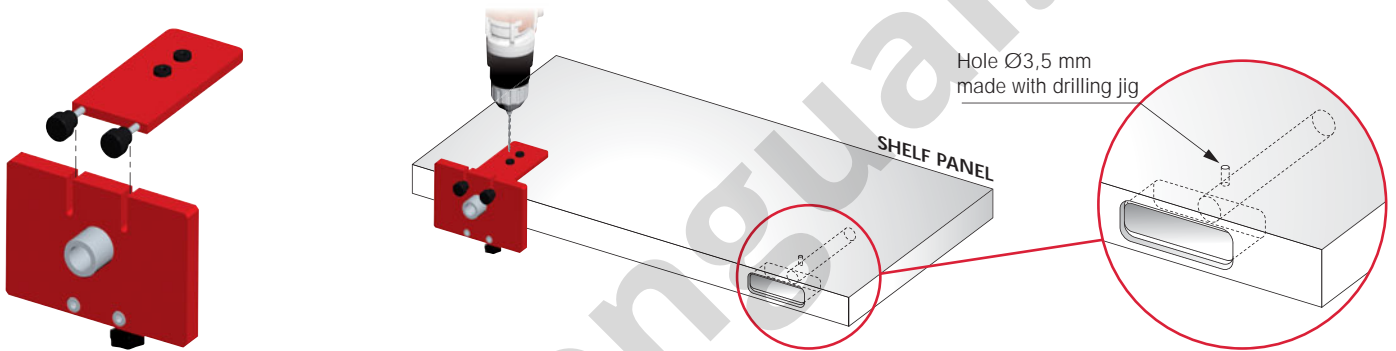
AL	ST	EP	= on request
123			
<b>YOJG0132RO</b>			



## TRIADE DRILLING JIG INSERT FOR SECURITY LOCKING



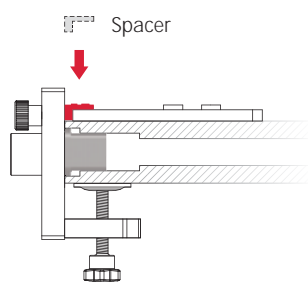
### GENERAL SPECIFICATIONS



### SPACERS AVAILABLE

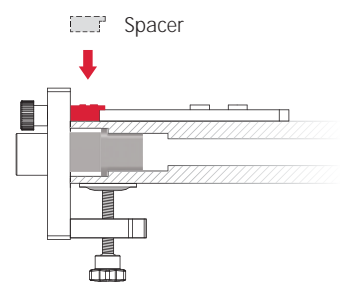
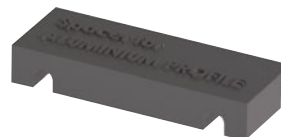
#### SPACER FOR TRIADE WALL BRACKETS

Part no. YOJG054900



#### SPACER FOR TRIADE ALUMINIUM PROFILES

Part no. YOJG055000



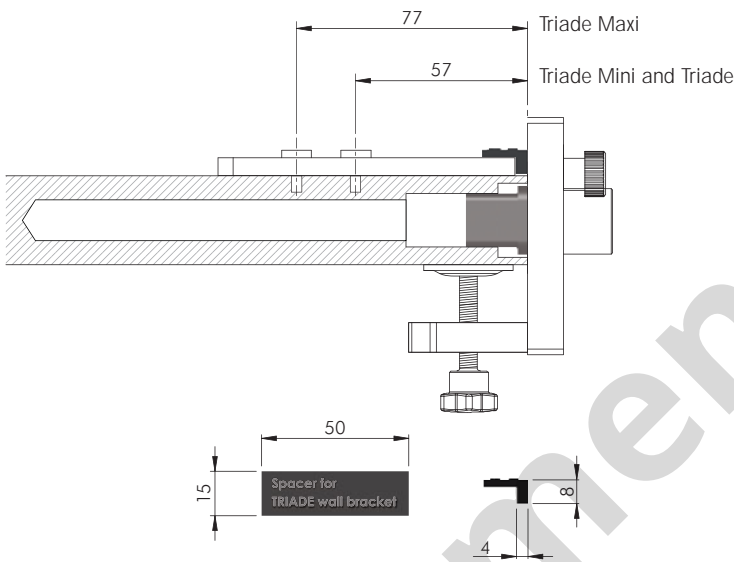


## DRILLING JIG INSERT FOR SECURITY LOCKING

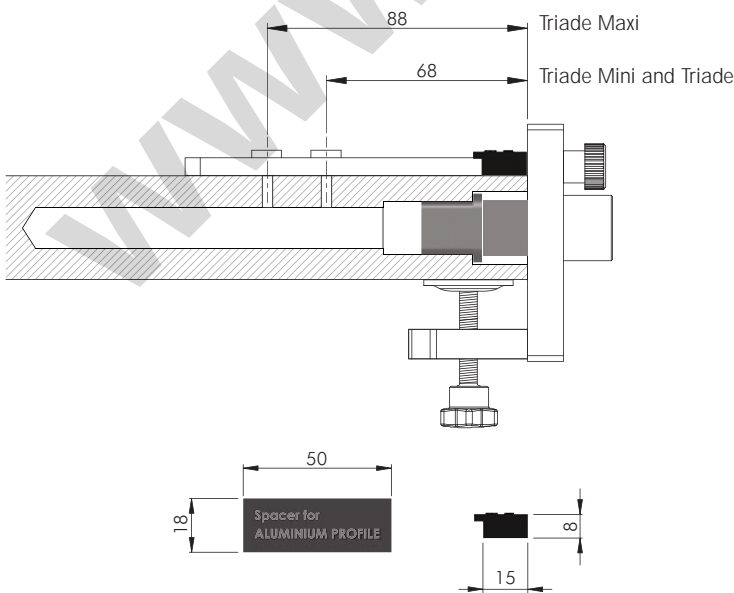
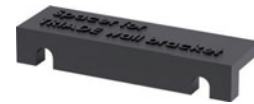


AL	ST	EP	= on request
<b>YOJG0133RO</b>			

## SPACERS FOR SECURITY LOCKING



EP	= on request
<b>YOJG054900</b>	

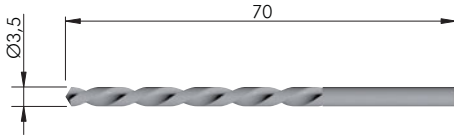


EP	= on request
<b>YOJG055000</b>	





## DRILL BIT



HSS	= on request
123	
<b>YOJG054100</b>	

NOTE: For drilling jig we recommend to use precision-ground steel drill bit HSS-G.

## COMPLETE SET DRILLING JIG FOR TRIADE

CONTENT OF THE CASE:

- |            |            |
|------------|------------|
| Part no.   | Part no.   |
| YOJG0130RO | YOJG0133RO |
| YOJG013500 | YOJG055000 |
| YOJG013600 | YOJG054000 |
| YOJG013700 | YOJG054100 |
| YOJG013800 |            |
| YOJG013900 |            |



AL	ST	EP	= on request
123			
<b>YOJG0131RO</b>			

## SET WITH DRILLING JIG TRIADE AND DRILL BIT Ø14 mm (only template for Triade Regular)

CONTENT OF THE CASE:

- |            |
|------------|
| Part no.   |
| YOJG0130RO |
| YOJG013600 |
| YOJG054000 |



AL	ST	EP	= on request
123			
<b>YOJG0132RO</b>			