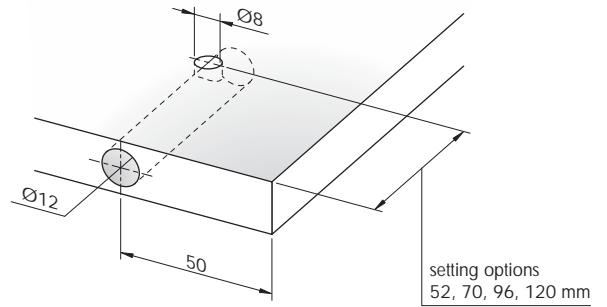
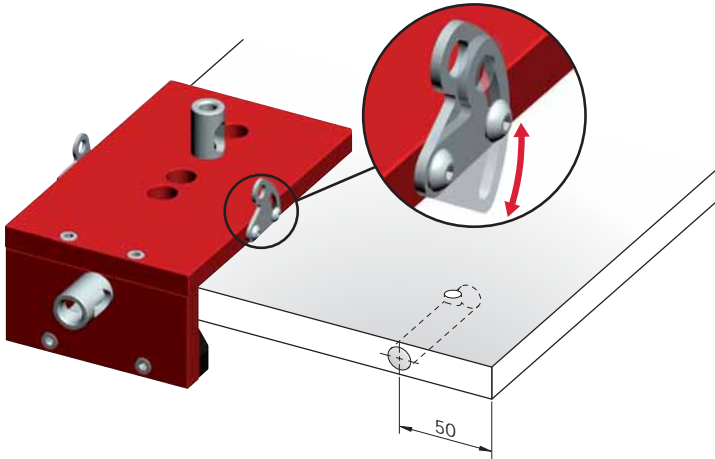


DRILLING JIG REKORD 12

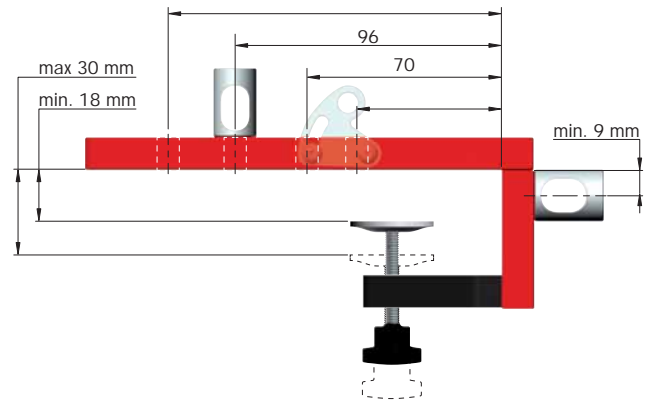
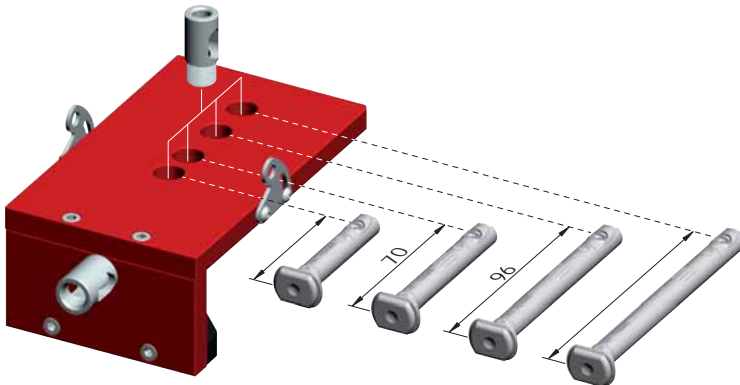


18 - 30 mm

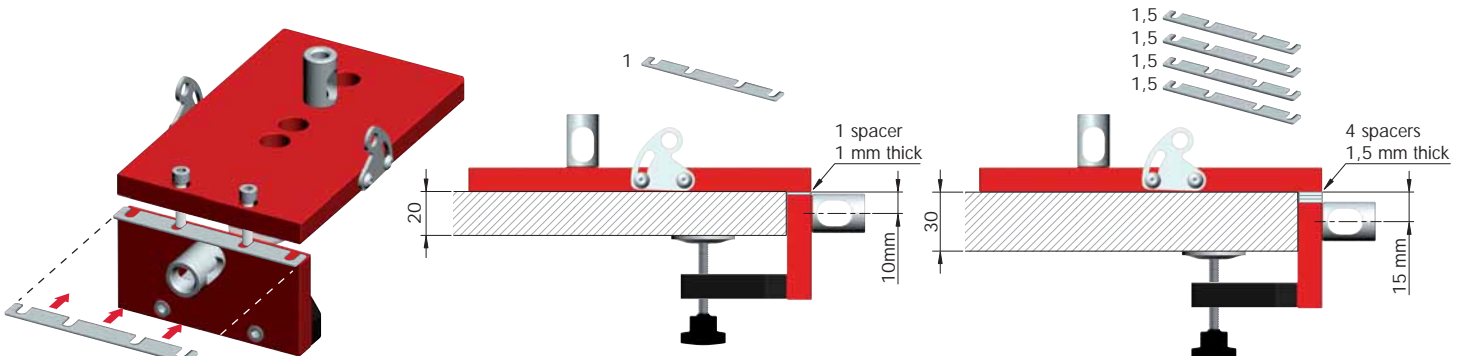
GENERAL SPECIFICATIONS






APPLICATION OPTIONS



DRILLING SPACERS FOR OTHER PANEL THICKNESSES

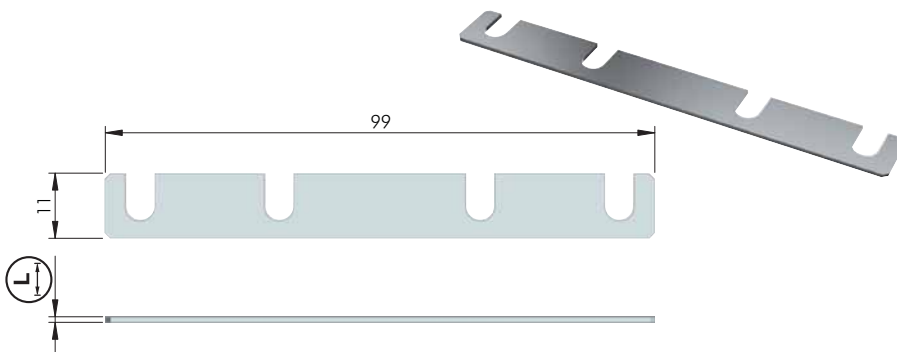







AL	ST	EP	 = on request
			
Y0JG0120RO			

NOTE: The product code includes all the components shown in the picture.




REKORD 12 DRILLING JIG ACCESSORIES



AL	 = on request
	
Y0JG0511ZN	1
Y0JG0512ZN	1,5

DRILLING JIG DEPTH STOP COLLARS



ST	 = on request
	
Y0JG051700	Ø8
Y0JG051900	Ø12