

USB RECHARGEABLE TILT TORCH

Product Features

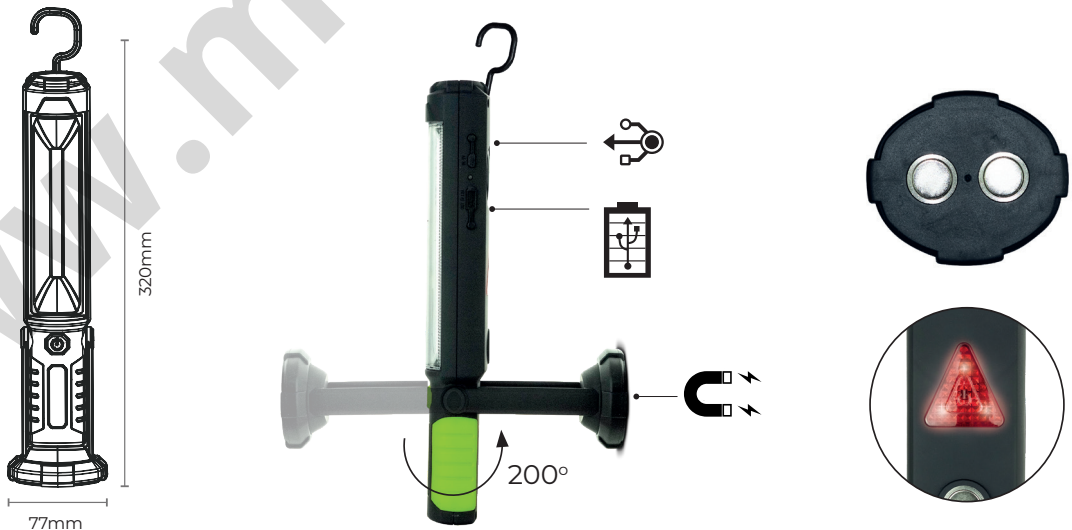
- Multi fixing - 360 degree folding hook and tilting magnetic base
- 2 working light modes and red flashign beacon
- Durable hard wearing housing
- Inbuilt 2000mAh USB powerbank for charging devices, includes USB charging cable



CAT NO.	LUMINAIRE LUMENS	CHARGING TIME
LILT45T65	450	3.5 Hours

CAT NO.	WEIGHT (kg)	WATTAGE	CRI	IK RATING	BATTERY TYPE	BATTERY CAPACITY	TEMP RANGE (°C)	AMBIENT TEMP RATED LIFE (°C)
LILT45T65	0.35	5W	>80	IK05	3.7V Li-Ion	2000mAh	0 to +25	25

Product Drawing



STANDARD	DESCRIPTION
60598-1	Luminaires – General requirements
60598-2-4	Luminaires – Portable
61000-3-2	Electromagnetic compatibility (EMC) - Part 3-2: Limits – for harmonic current emissions
61000-3-3	Lamp controlgear – Part 1: General and safety requirements
61547	Equipment for general lighting purposes – EMC immunity requirements
55015	Limits and methods of measurement of radio disturbance characteristics of electrical lighting and similar equipment

