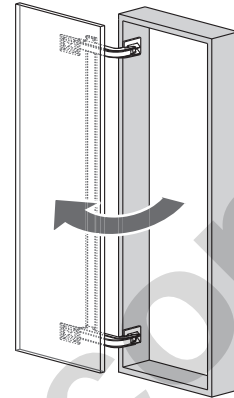


Thank you for selecting our product. Before starting installation, please read this manual thoroughly to ensure correct installation. Please keep this manual at hand for future reference.

ABOUT THE PRODUCT

- Can be used for both cabinet and passage doors.
- Easy installation and adjustment.
- Door will be flush with surrounding walls.
- There is no need of embedding a rail on the floor.



FOR YOUR SAFE WORK AND CORRECT INSTALLATION

Meaning of symbols

	Warning Caution		Prohibited		Required
--	---------------------------	--	-------------------	--	-----------------

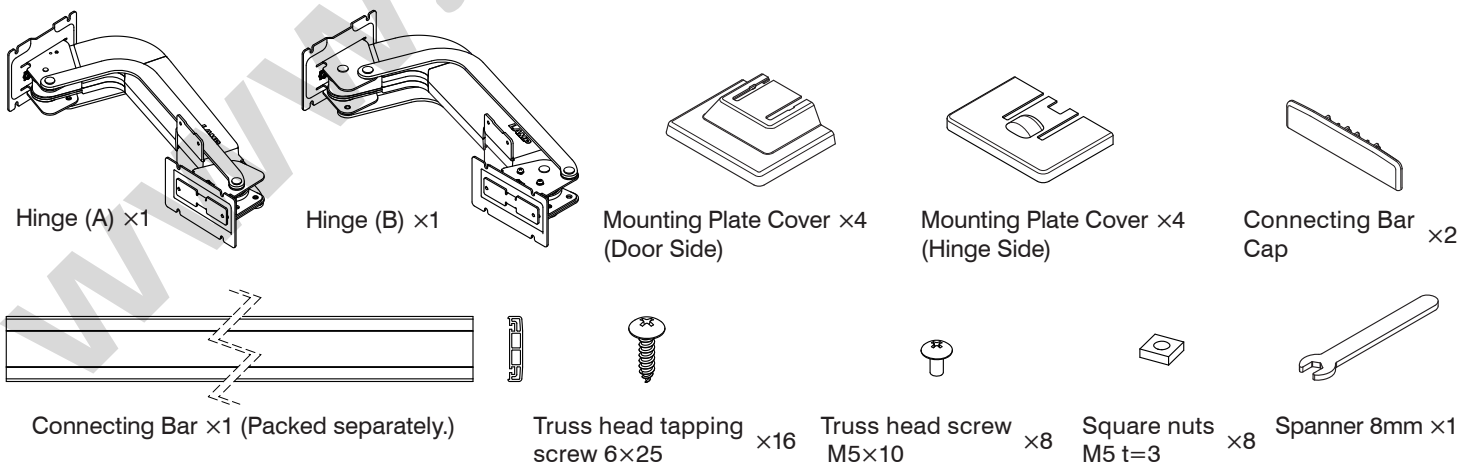
Warning: If not followed, death or serious injury may result.

- ❗ This (lateral swing door system) should be installed by an experienced person. If the system is not installed correctly, the door will not operate smoothly, and may cause injury.
- ❗ It is necessary to manufacture the frame with sufficient strength so it endures the weight of the door and impact shocks upon opening/closing the door. A frame with poor strength might result in improper and slower movement of the door. In the worst case, the door might drop down and cause injury.
- ⊘ Do not try to use this product for any other purposes than originally intended for. Do not use the parts for applications that are out of specifications.
- ⊘ Do not disassemble nor modify any parts than those described in this document.
- ⊘ Hinges are only designed to hold the door. Do not sit on them or hang anything else than the door.
- ⊘ Do not use excessive force to further open the completely opened door or open/close the door as this could result in malfunction.

Caution: If not followed, injury or damage may result.

- ❗ This lateral swing door system is a part for furniture or architectural fittings. After installation, make sure to test the finished product thoroughly to ensure that it is well-functioning and safe, inform the user to operate safely.
- ❗ Make sure to follow the designated measurements and specifications as well as horizontal and vertical angles. Make sure that the frame is not warped, since it may affect the movement of the door.
- ❗ Sugatsune conducts extensive quality checks on this product. However, if any defects are found on the product, contact the retailer.
- ❗ When cleaning heavy grime, wipe off with a neutral detergent diluted with water.
- ❗ Make sure to test the screws for slack at regular intervals (one month from first usage, half year and then one time every year is recommended).

COMPONENT PARTS



TOOLS NEEDED FOR ASSEMBLY

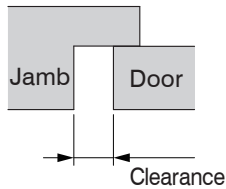
(Please prepare ※ when installing on aluminum frame.)

- Screwdriver(+) No.3
- Screwdriver(+) No.2
- Hex key 4mm
- ※ Aluminum frame 40×160
- ※ Screw (M6×12) & Nut × 8 set
- ※ Aluminum frame fixing angle, including fixing screws and nuts.
- ※ Hex key 5mm

SPECIFICATIONS

Door Width	750 – 850 mm	Door Thickness	24 – 40 mm
Door Height	LIN-X800 (Connecting Bar L=2100) … – 2400mm LIN-X800H (Connecting Bar L=2500) … – 2980mm		
Door Weight	Max.40 kg/Door	Temperature of use	0 ~ 40 °C

❗ Clearances for hinge side and tip side of the door required to be more than 8mm.



INSTALLATION PROCEDURE

This drawing shows the left handed opening type. Installation for right handed opening is symmetrically opposite.

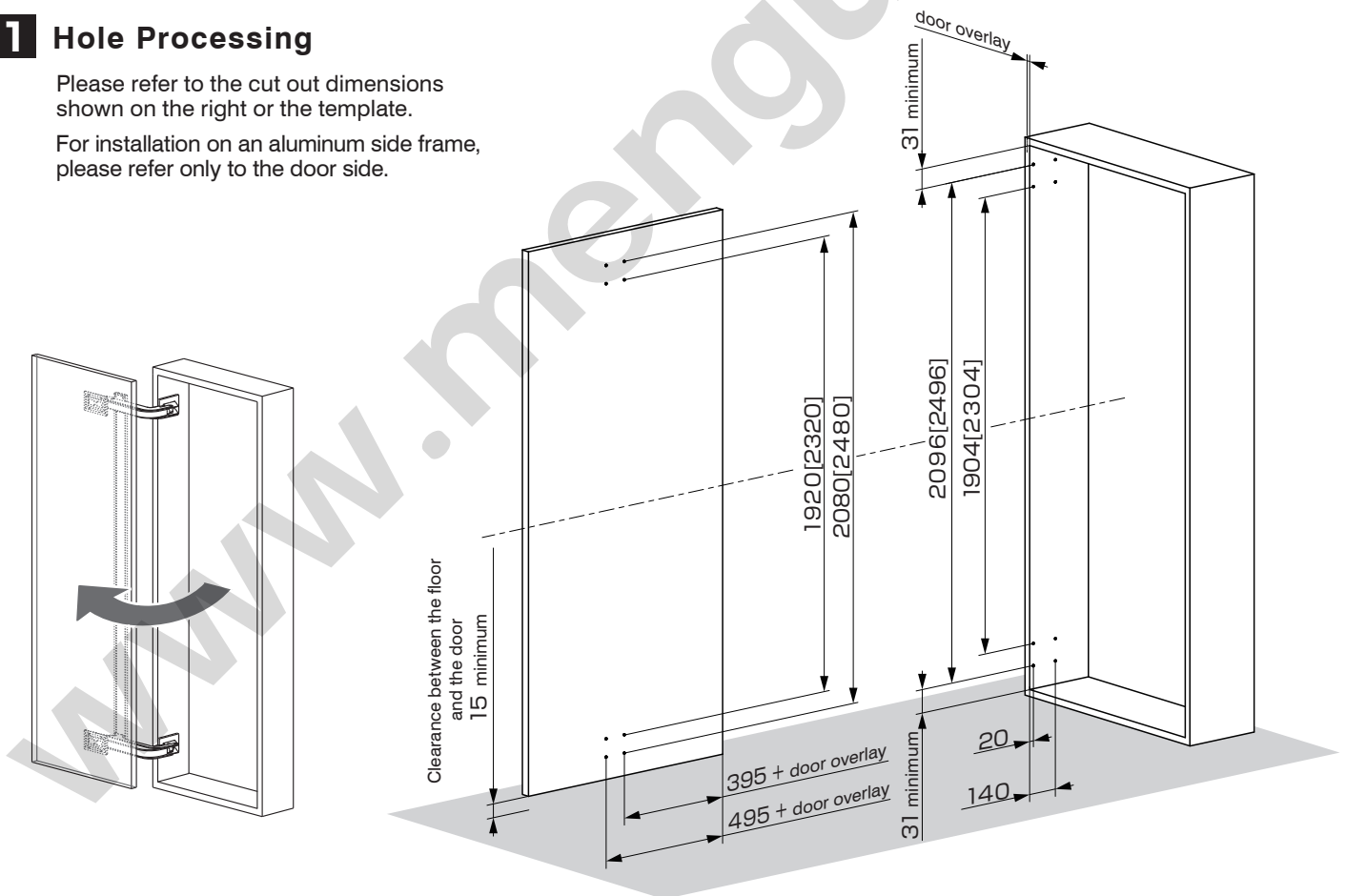
● For wood frame installation,
please refer to **1 – 8**.

● For aluminum frame installation,
please refer to **1 – 4** and **9 – 11**.

1 Hole Processing

Please refer to the cut out dimensions shown on the right or the template.

For installation on an aluminum side frame,
please refer only to the door side.

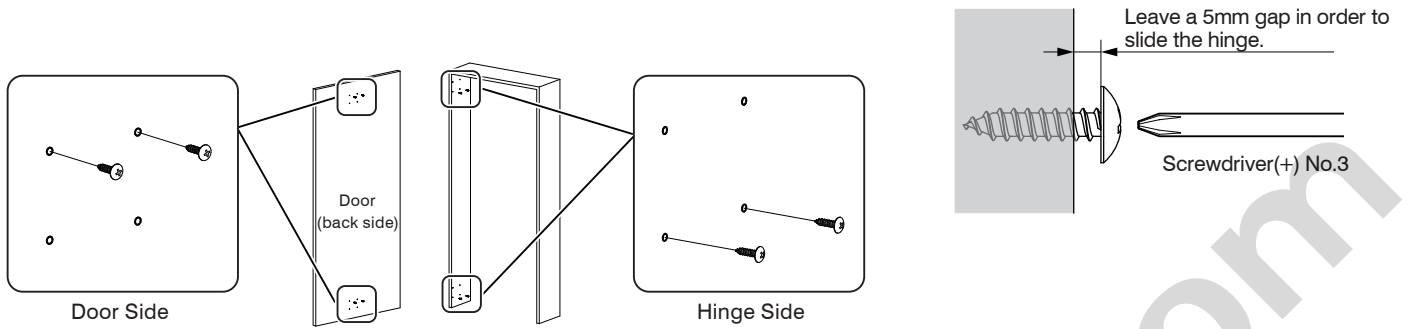


· [] : LIN-X800H

2 Pre-Installation

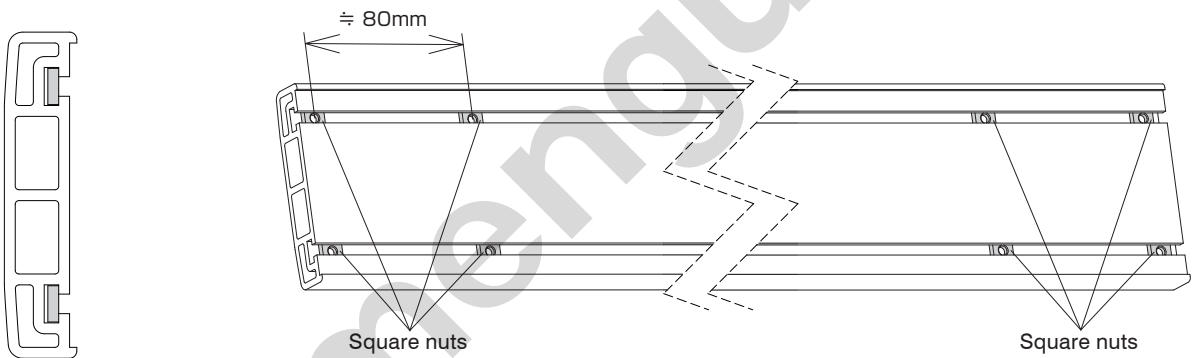
Pre-fix the 4 lower screws (2 for top and 2 for bottom arm) on the hinge side, and 4 upper screws on the door side, using the truss tapping 6x25 screws provided.

* For the installation on the aluminum side board, please refer only to the door side.

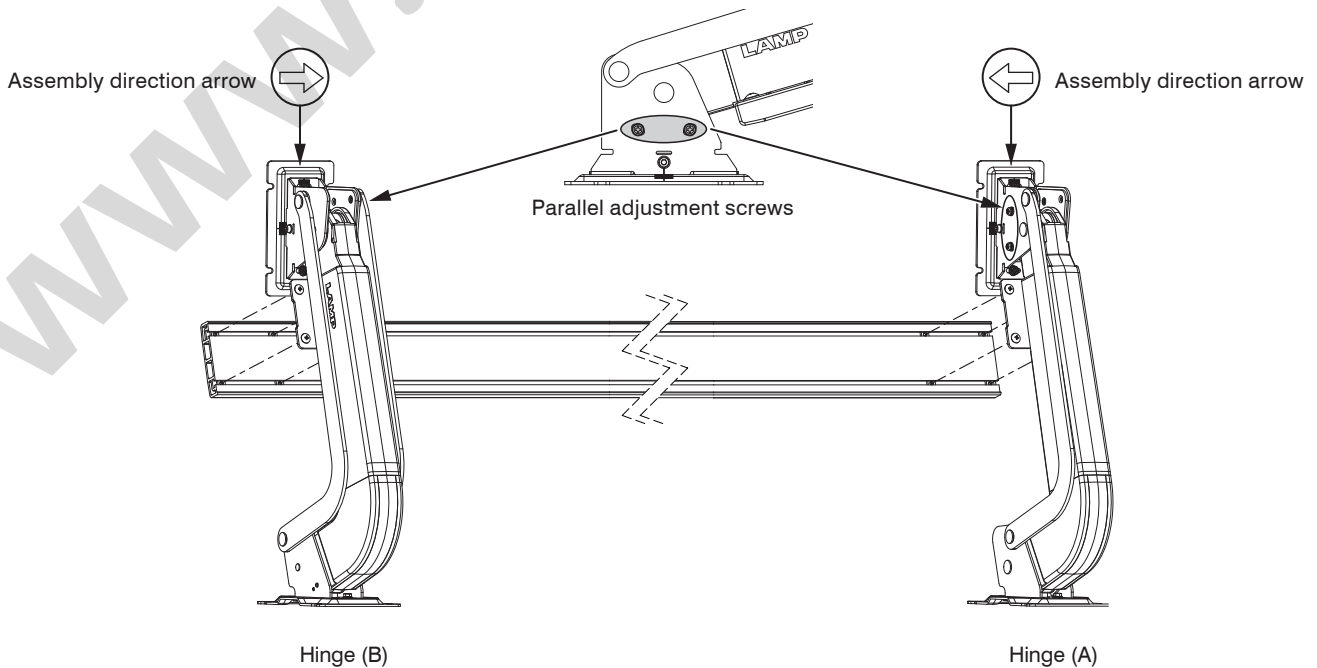


3 Assembling of Hinges and Connecting Bar

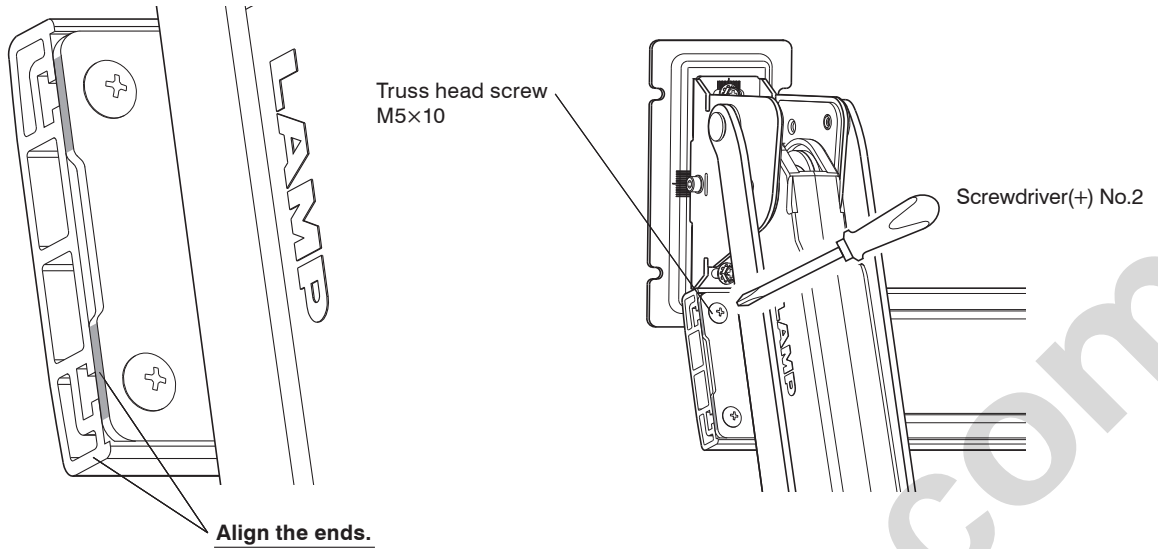
Insert the square nuts into the connecting bar.



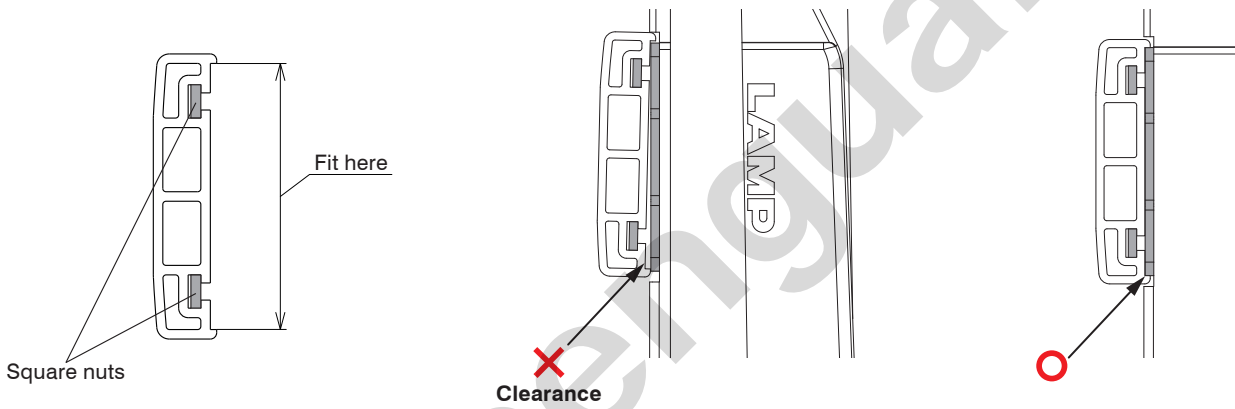
Set the hinges so that the arrows and the parallel adjustment screws are both facing each other.



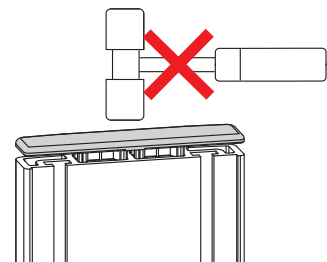
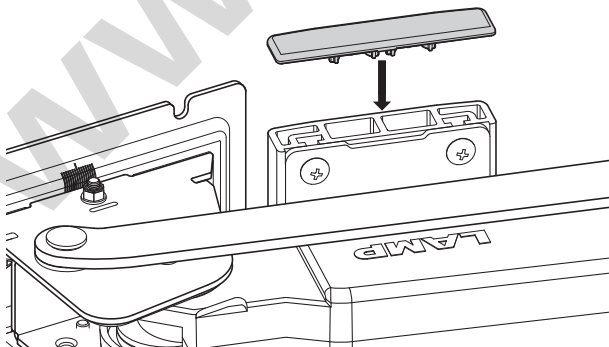
Align the end of hinge and connecting rod and tighten the 8 screws to the square nuts in the rod.



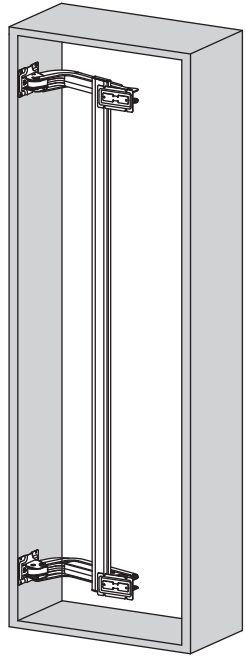
Please check the hinge is securely fit in the ribs of the connecting bar.



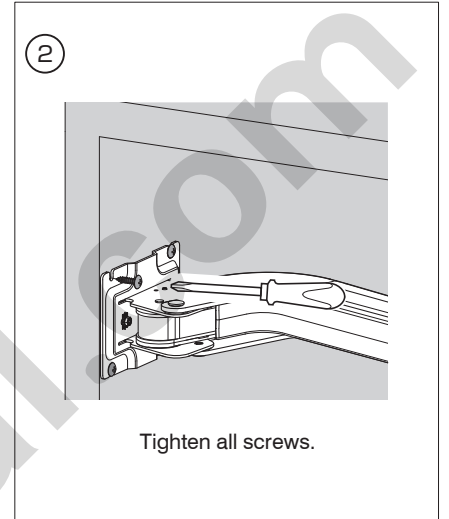
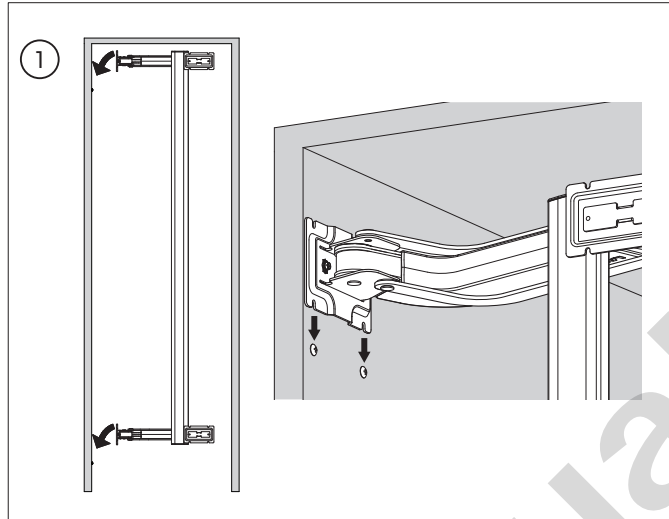
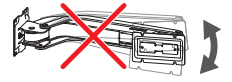
4 Installation of Connecting Bar Caps (Two places of both ends)



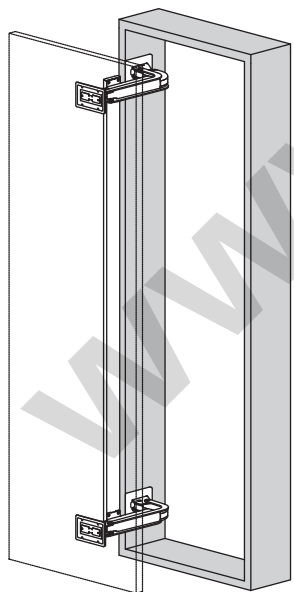
5 Mounting Hinges



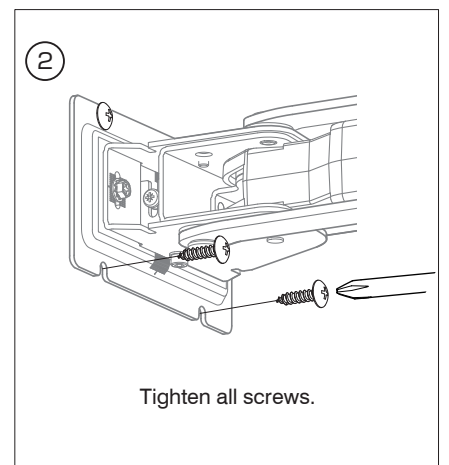
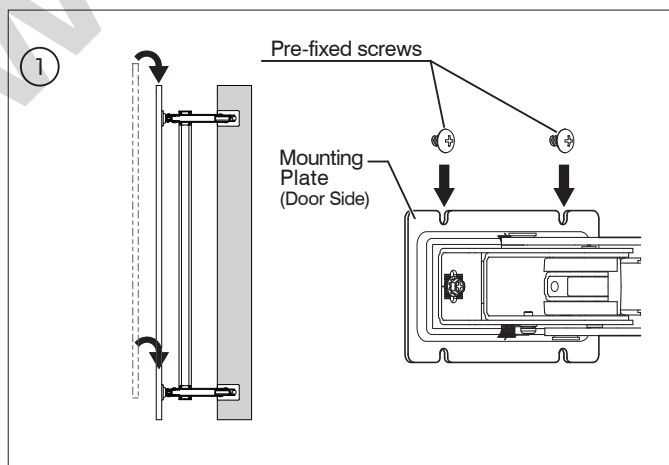
! Support hinges with hand while installing the bar to prevent unwanted load.



6 Installing Door

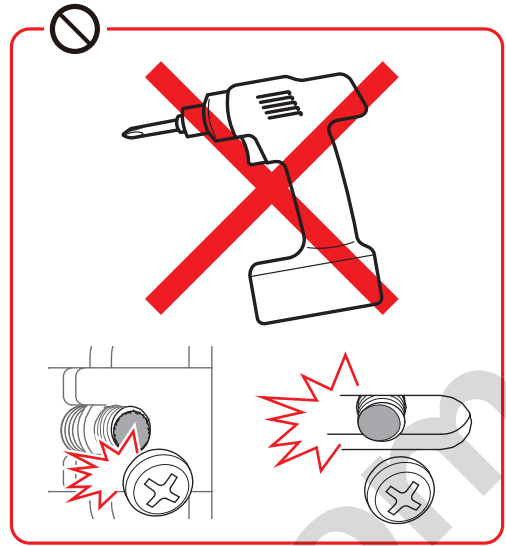
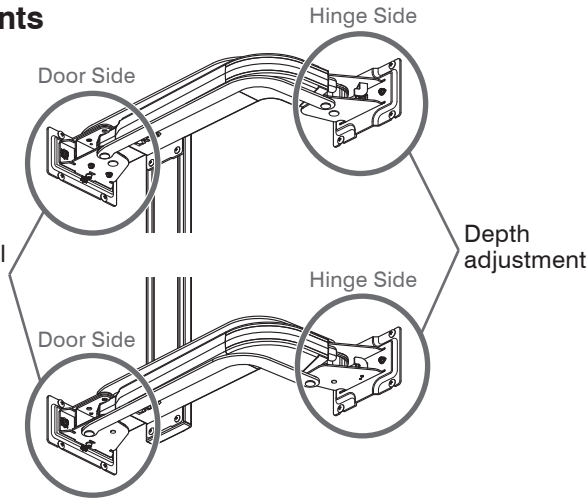


! We recommend that 2 people install the door in order to reduce risks of injury and damage to the door.



7 Door Adjustments

Horizontal • Vertical • Parallel adjustment

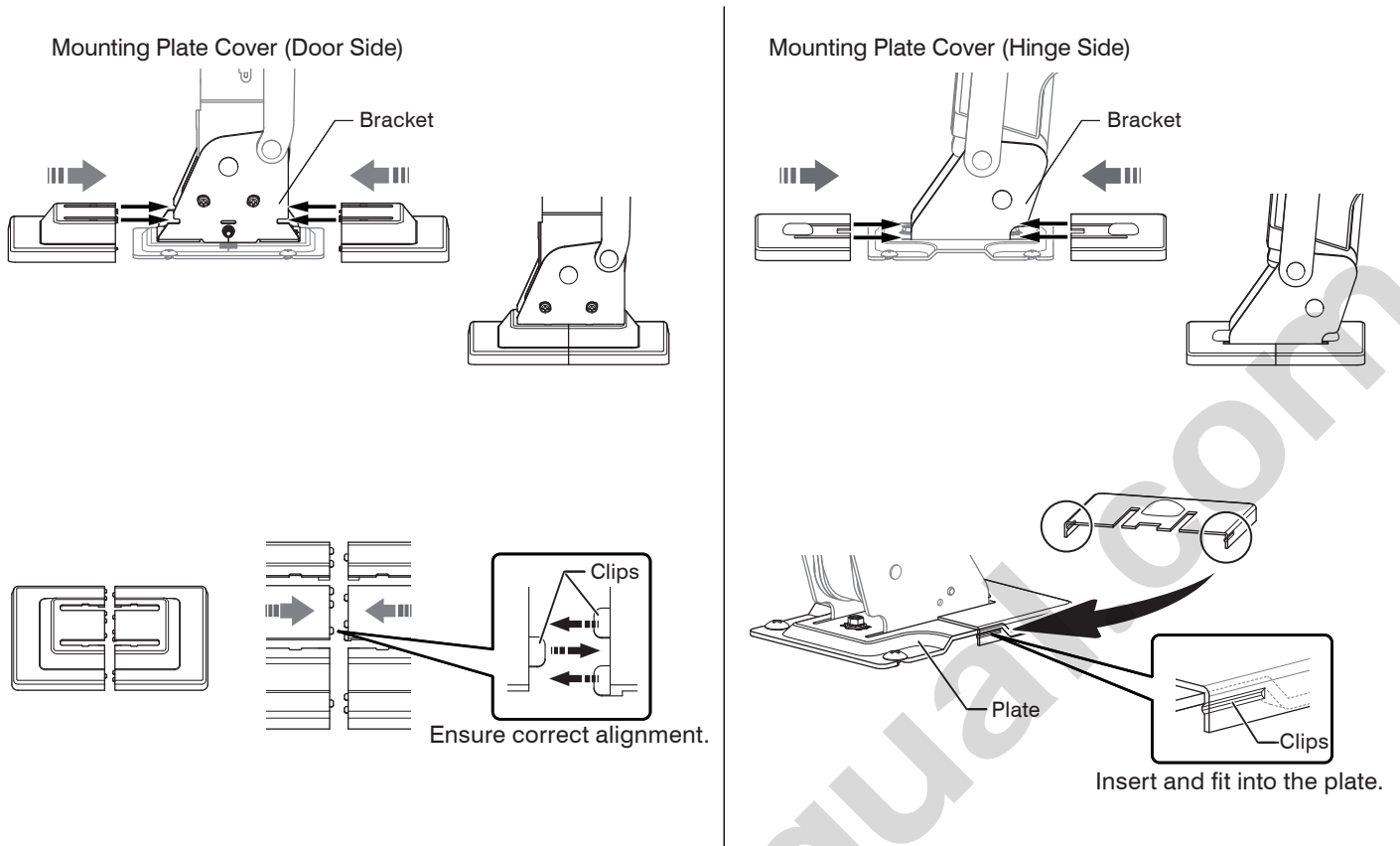


⊘ Removing the fixing screw may result in the door falling and injuring someone and/or damaging the door.

<p>Horizontal adjustment ±7 [mm]</p>	<p>① Loosen half turn only</p>	<p>② </p>	<p>③ Fasten</p>
<p>Vertical adjustment ±7 [mm]</p>	<p>① Loosen half turn only</p>	<p>② </p>	<p>③ Fasten</p>
<p>Parallel adjustment ±4 [°]</p>	<p>① Loosen</p>	<p>② </p>	<p>③ Fasten</p>
<p>Depth adjustment ±5 [mm]</p>	<p>① Loosen half turn only</p>	<p>② </p>	<p>③ Fasten</p>

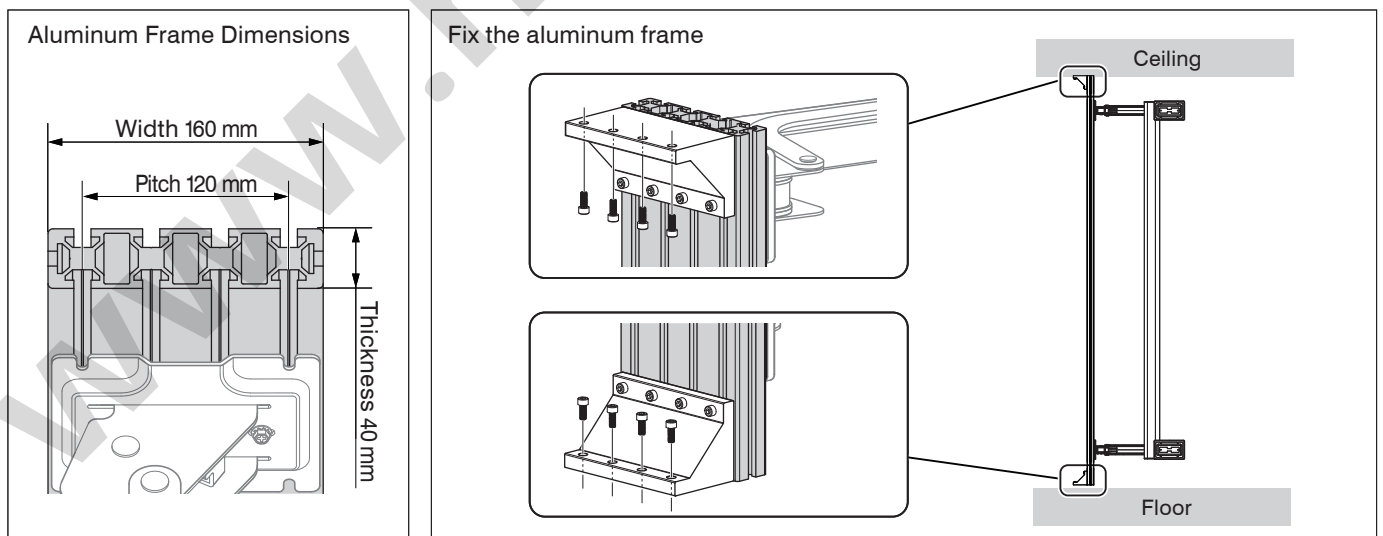
(Recommended closing torque: 2 N·m)

8 Install the Mounting Plate Cover

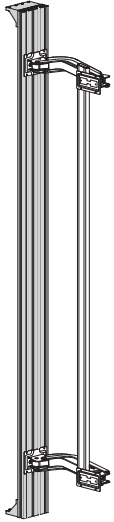


ALUMINUM FRAME SIDE BOARD

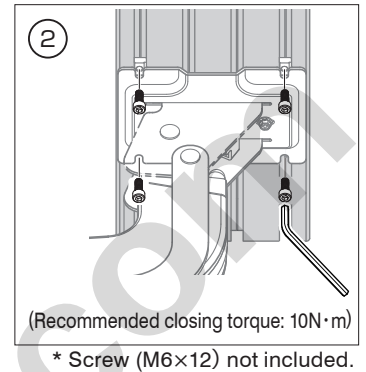
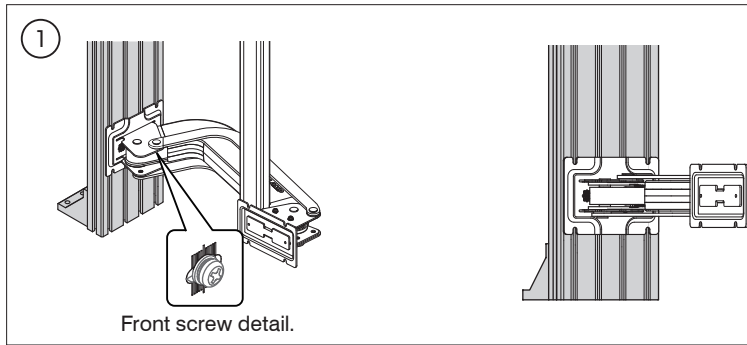
9 Install on the Aluminum Frame



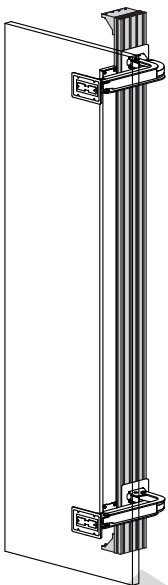
10 Mounting Hinges



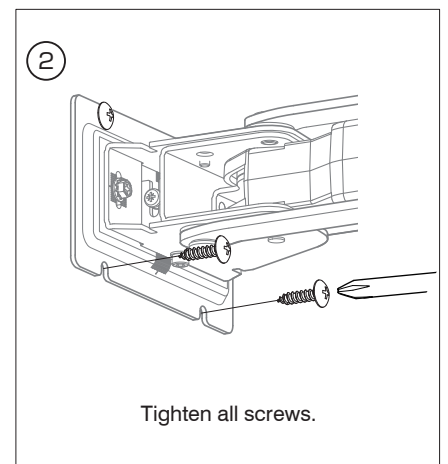
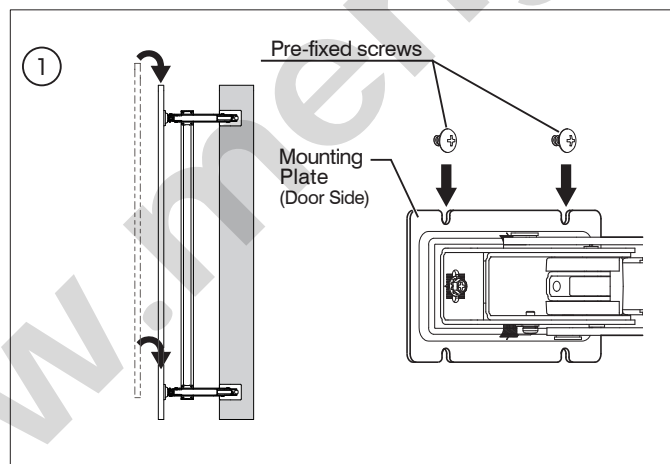
! Support hinges with hand while installing the bar to prevent unwanted load.



11 Installing Door



! We recommend that 2 people install the door in order to reduce risks of injury and damage to the door.



● For the adjustment and installation of the cover, please refer to **7** and **8**.

SUGATSUNE KOGYO CO.,LTD
Tokyo, JAPAN
Phone: +81 (0)3 3866 2260 E-mail: export@sugatsune.co.jp

SUGATSUNE KOGYO (UK) LTD
Reading, UK
Phone: +44 118 9272 955 E-mail: sales@sugatsune.co.uk

SUGATSUNE EUROPE GmbH
Düsseldorf, GERMANY
Phone: +49 211 53812900 E-mail: sales@sugatsune.eu

SUGATSUNE SHANGHAI Co., LTD
Shanghai, CHINA
Phone: +86 21 3632 1858 E-mail: lamp@sugatsune.com.cn

Guangzhou, CHINA
Phone: +86 20 6639 3552 E-mail: lamp@sugatsune.com.cn

SUGATSUNE KOGYO INDIA PRIVATE LIMITED
Mumbai, INDIA
Phone: +91 22 28314490/91 E-mail: sales@sugatsune.in

SUGATSUNE AMERICA, INC
California, USA
Phone: +1 310 329 6373 E-mail: sales@sugatsune.com

Chicago, USA
Phone: +1 312 461 1081 E-mail: chicagoshowroom@sugatsune.com

SUGATSUNE CANADA, INC.
Phone: +1 514 312 5267 E-mail: support@sugatsune.ca

ISO9001(Japan Offices and Sugatsune America) and ISO14001(Chiba Production division and Logistics center), certified.

2018.12 1262-1