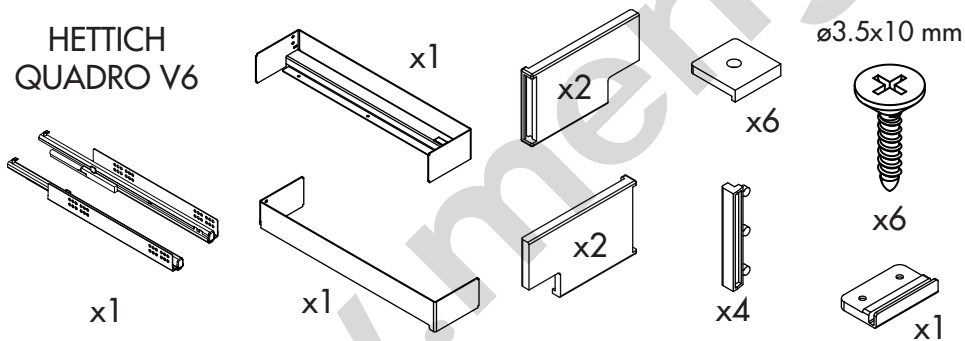
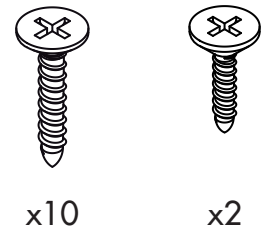


HETICH
QUADRO V6

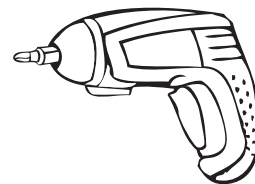
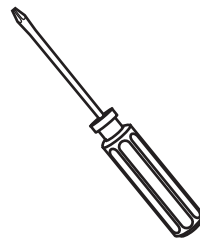
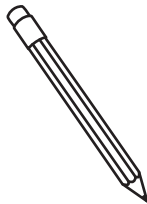
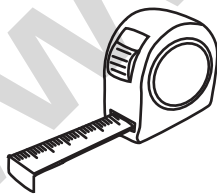


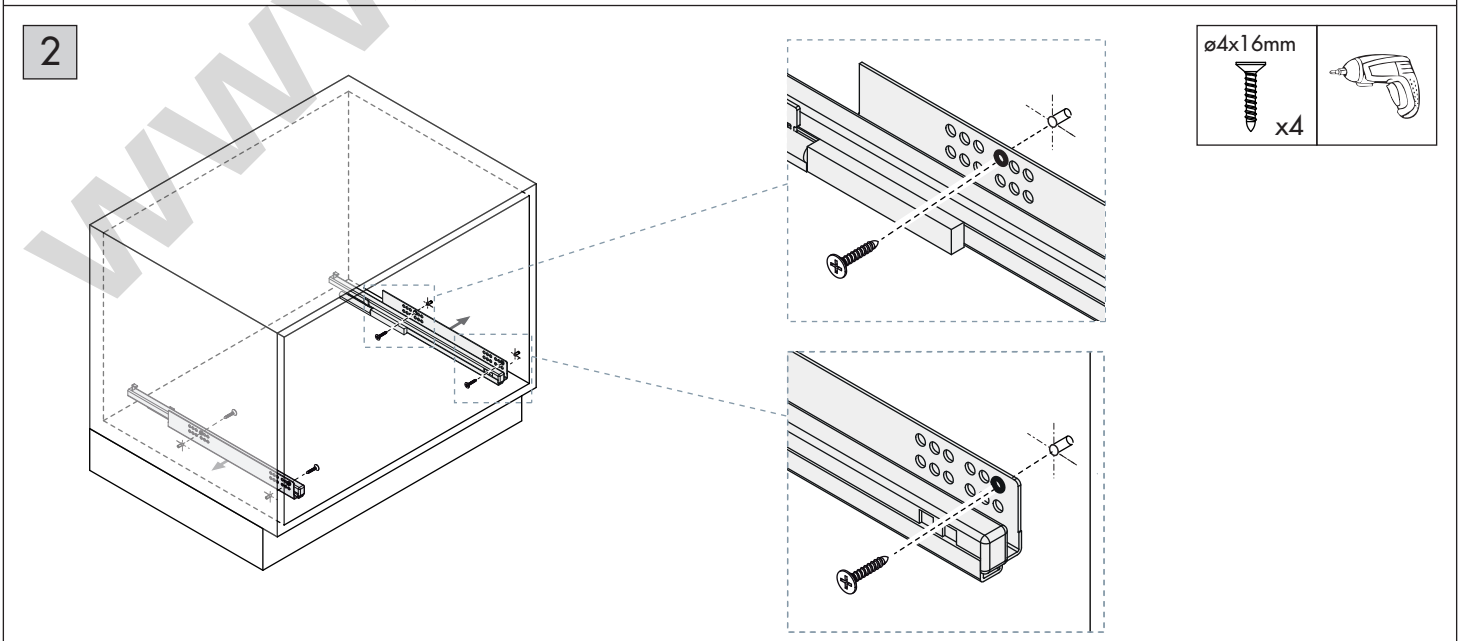
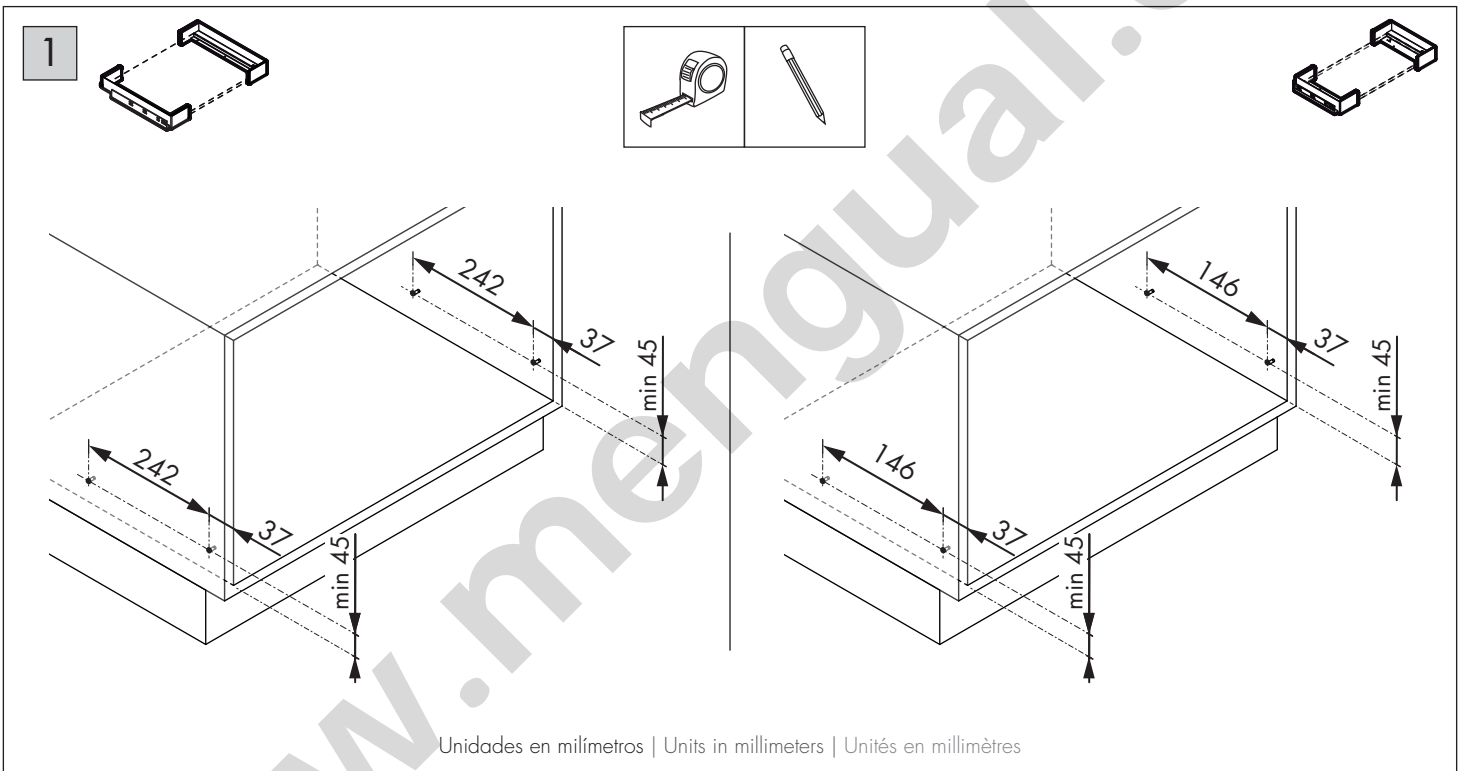
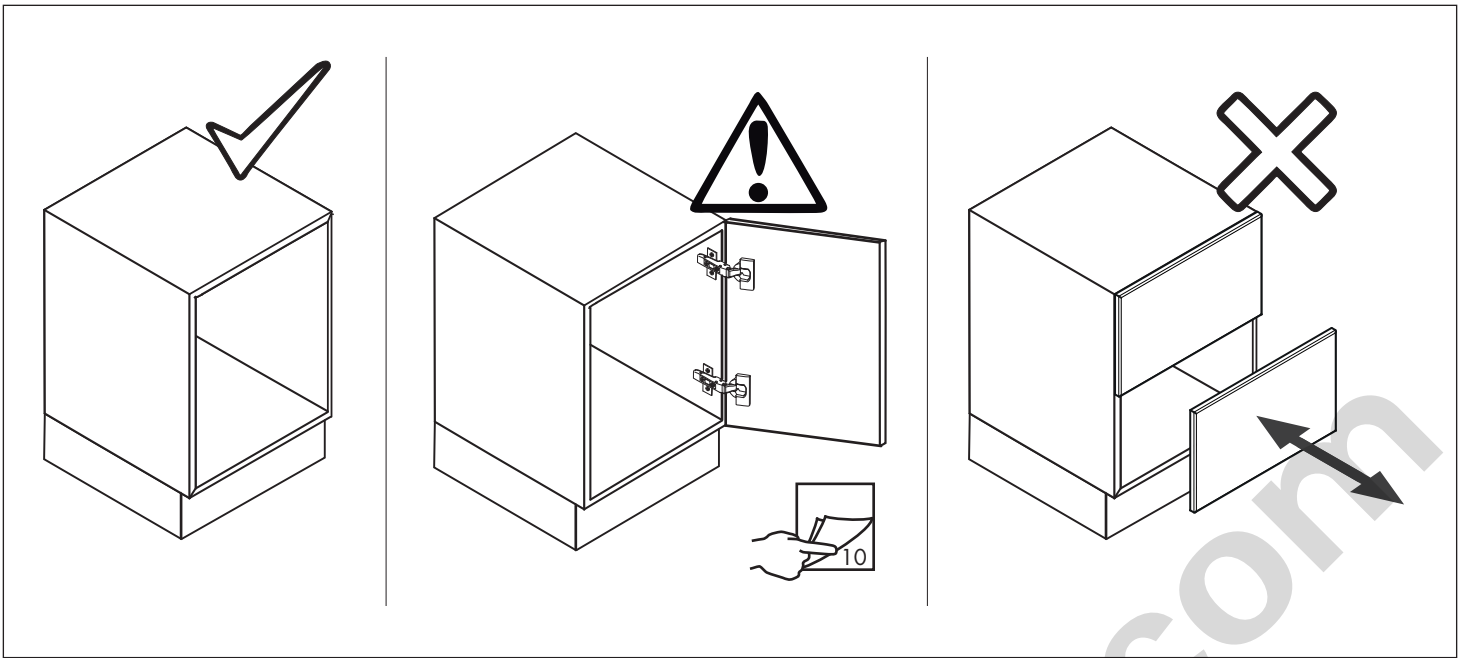
$\varnothing 4 \times 16$ mm $\varnothing 3.5 \times 10$ mm



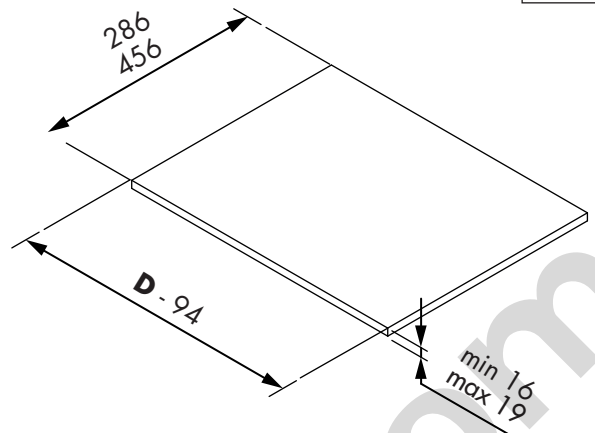
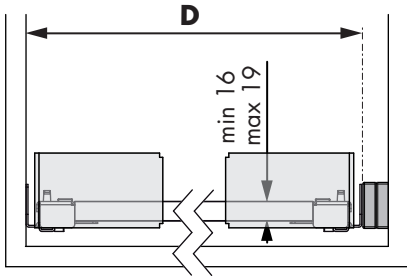
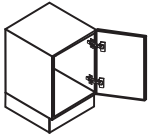
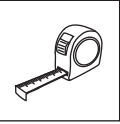
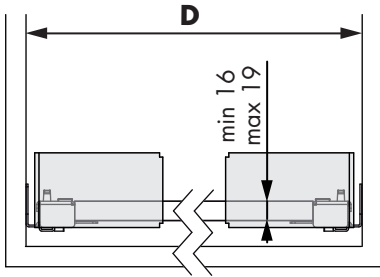
x10

x2

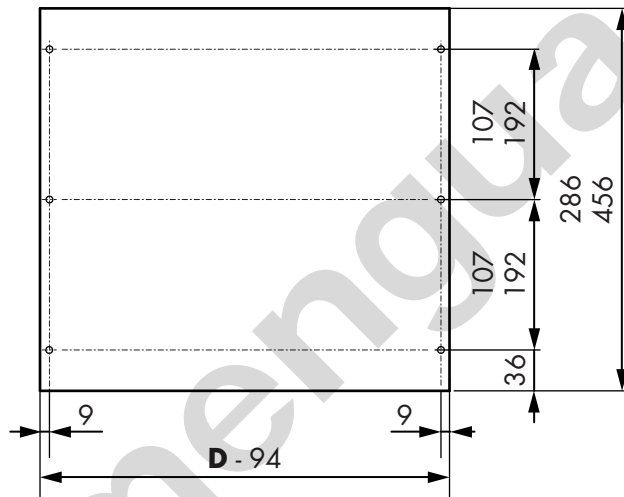
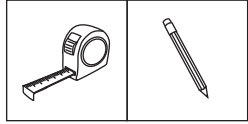




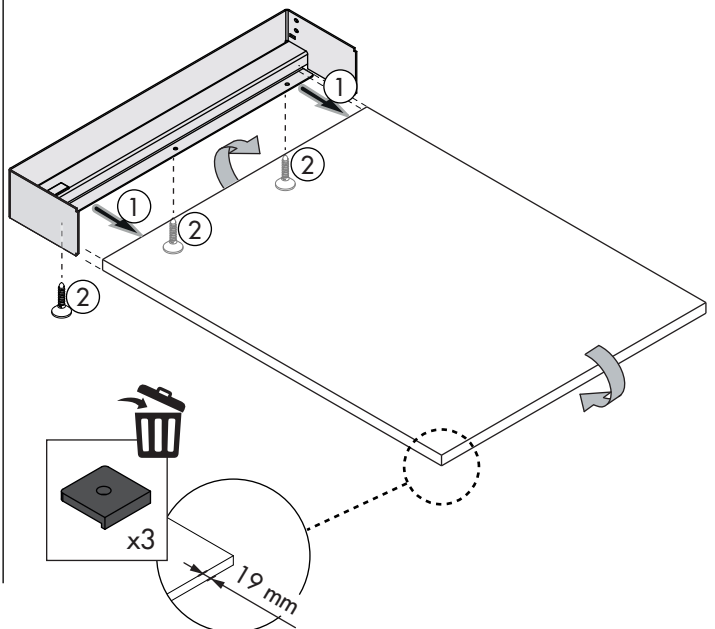
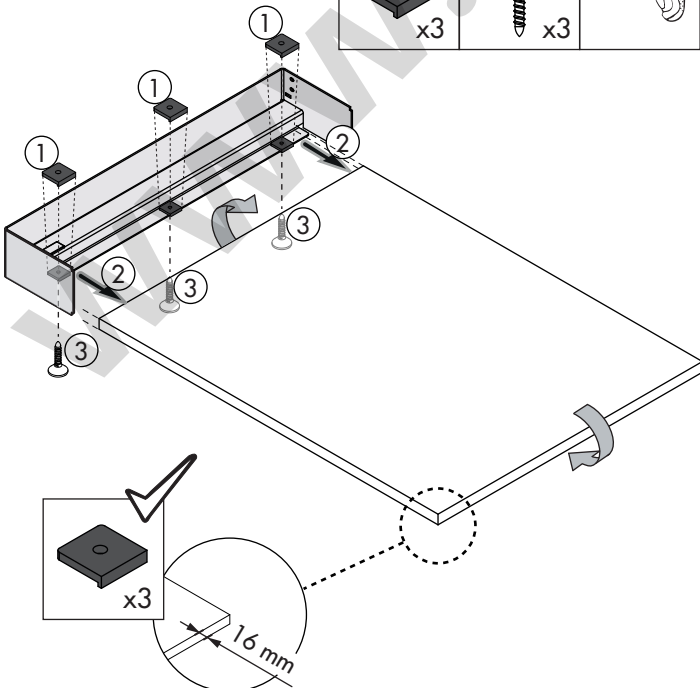
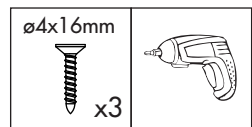
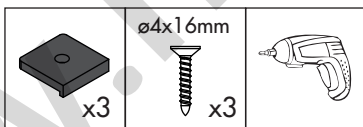
3



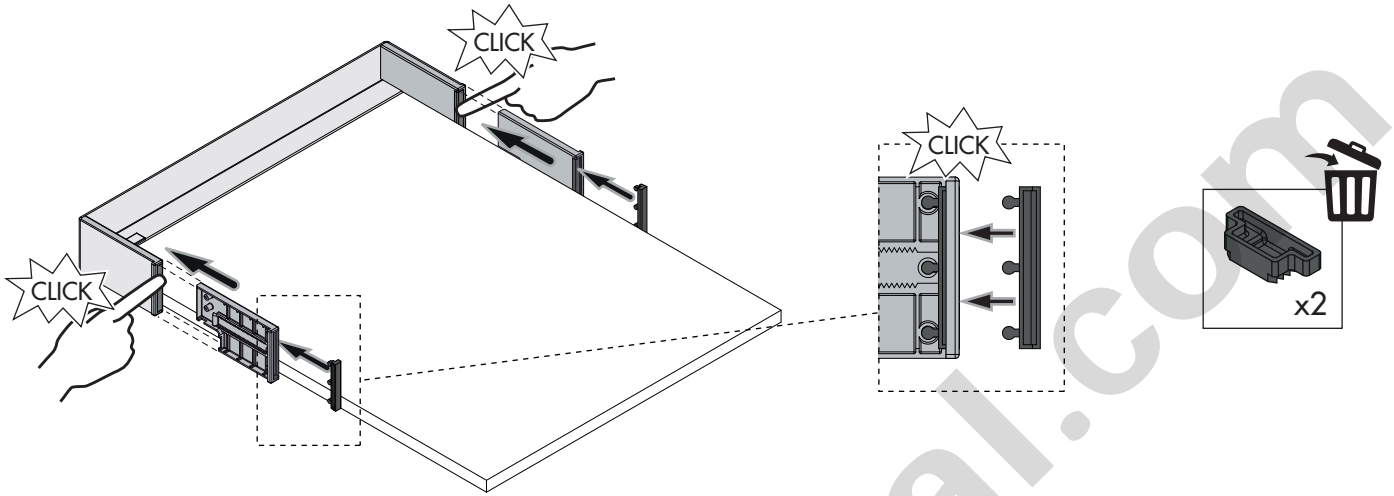
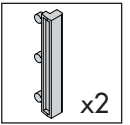
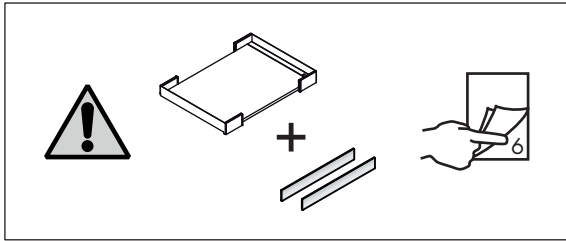
4



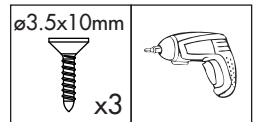
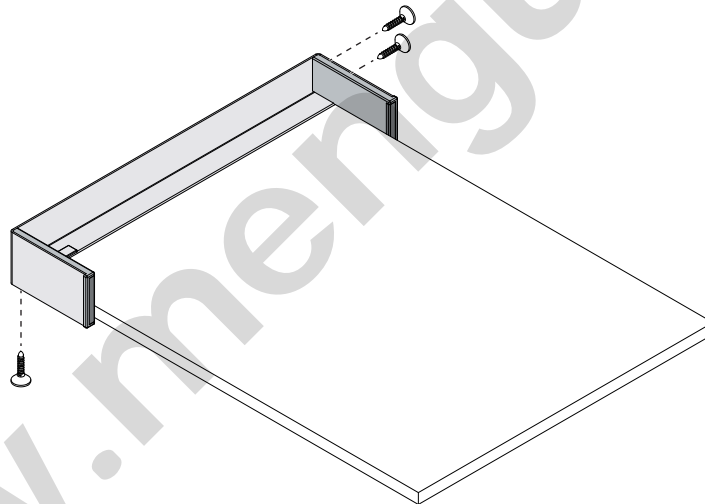
5



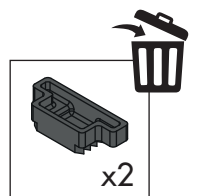
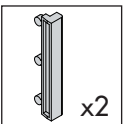
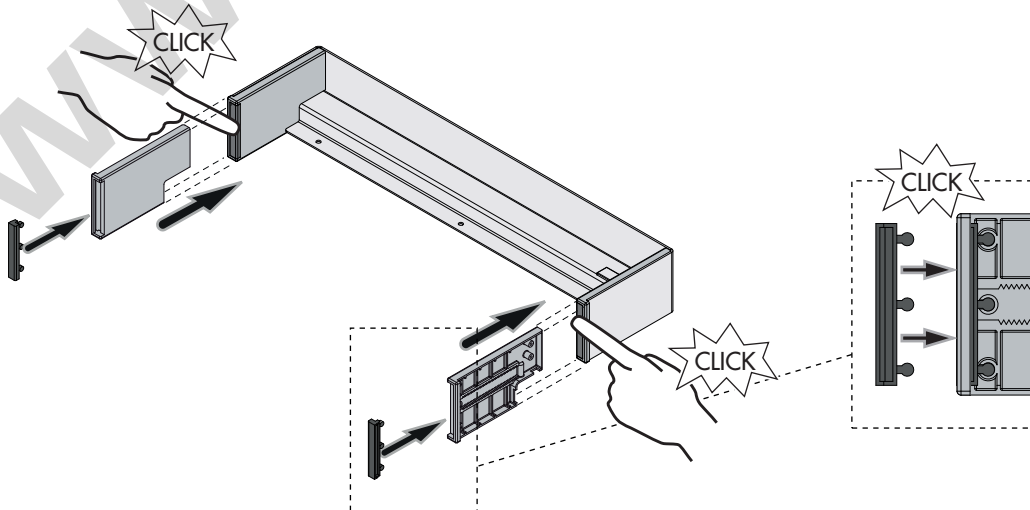
6



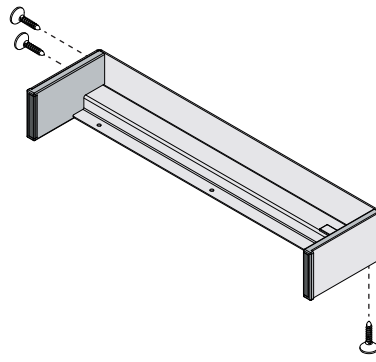
7



8



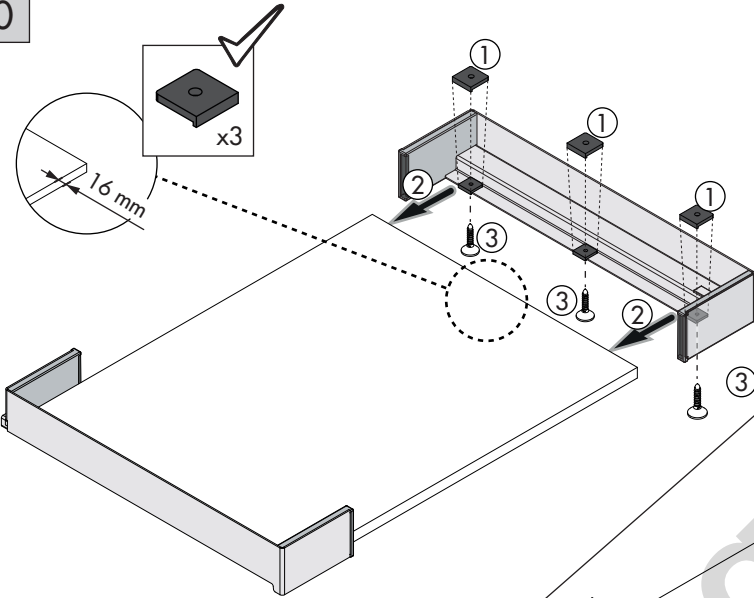
9



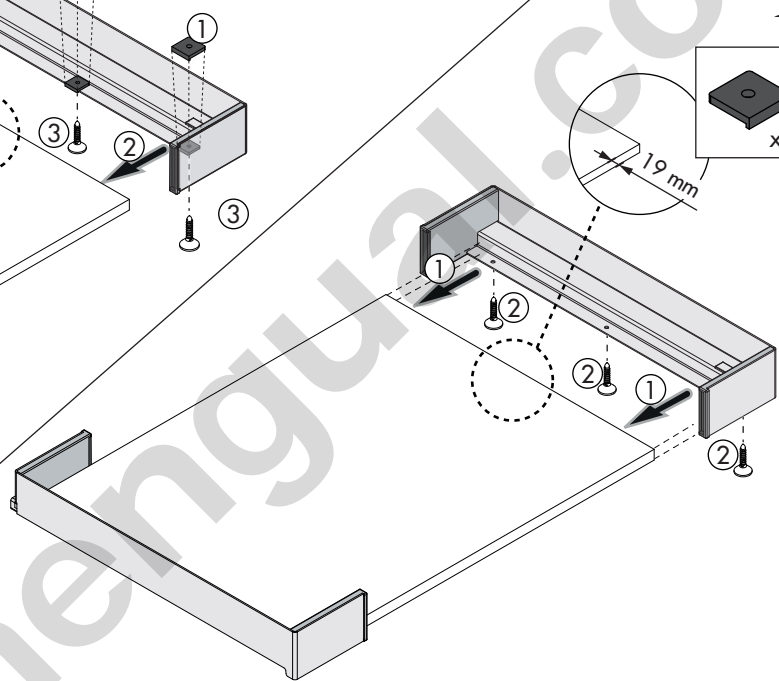
ø3.5x10mm
x3



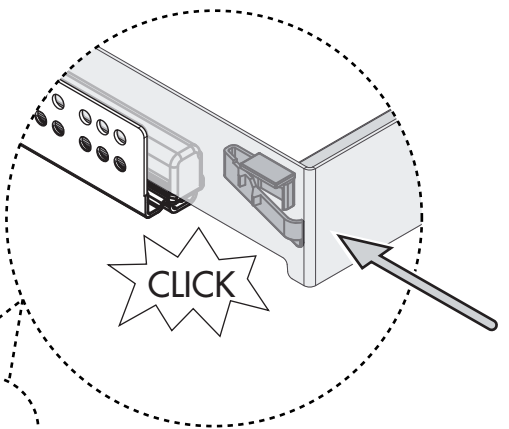
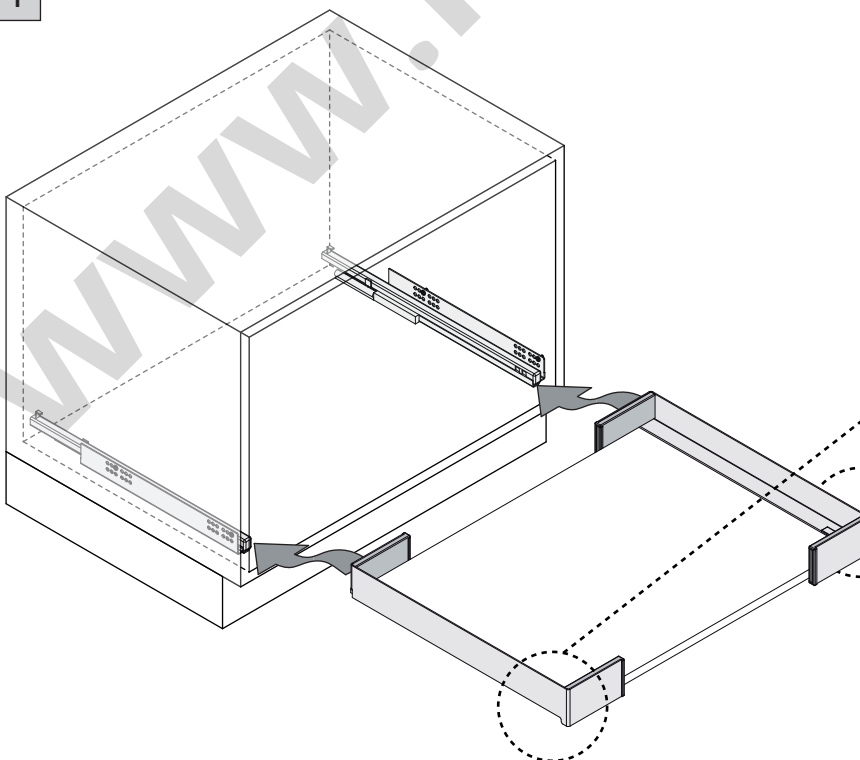
10

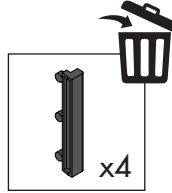
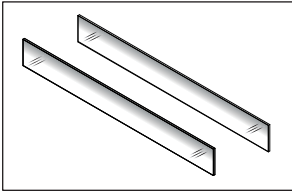


ø4x16mm
x3

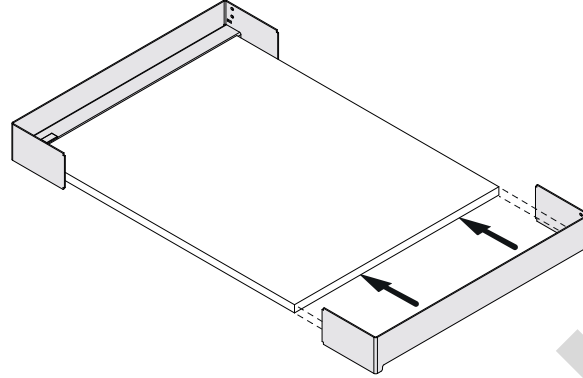


11

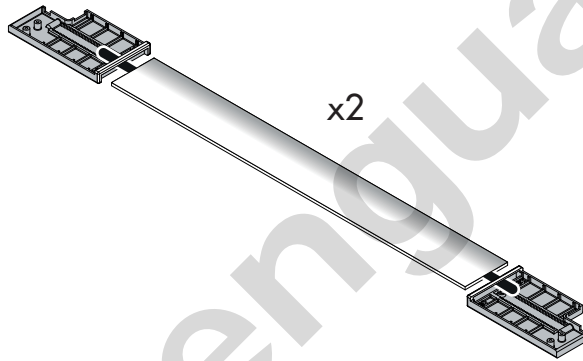




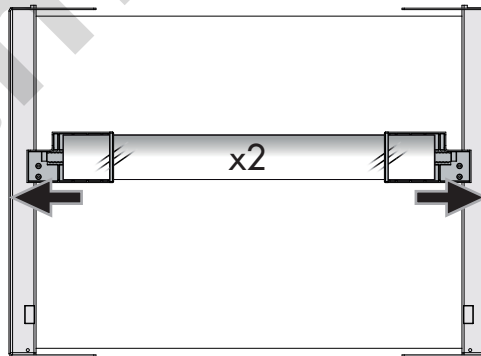
6



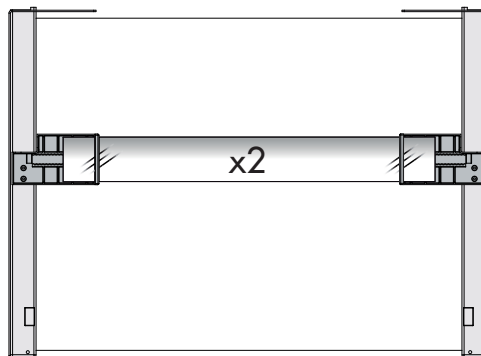
7



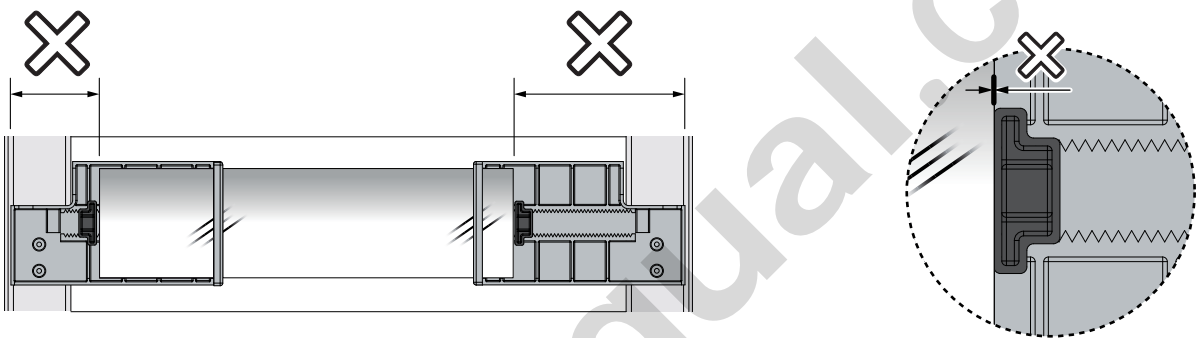
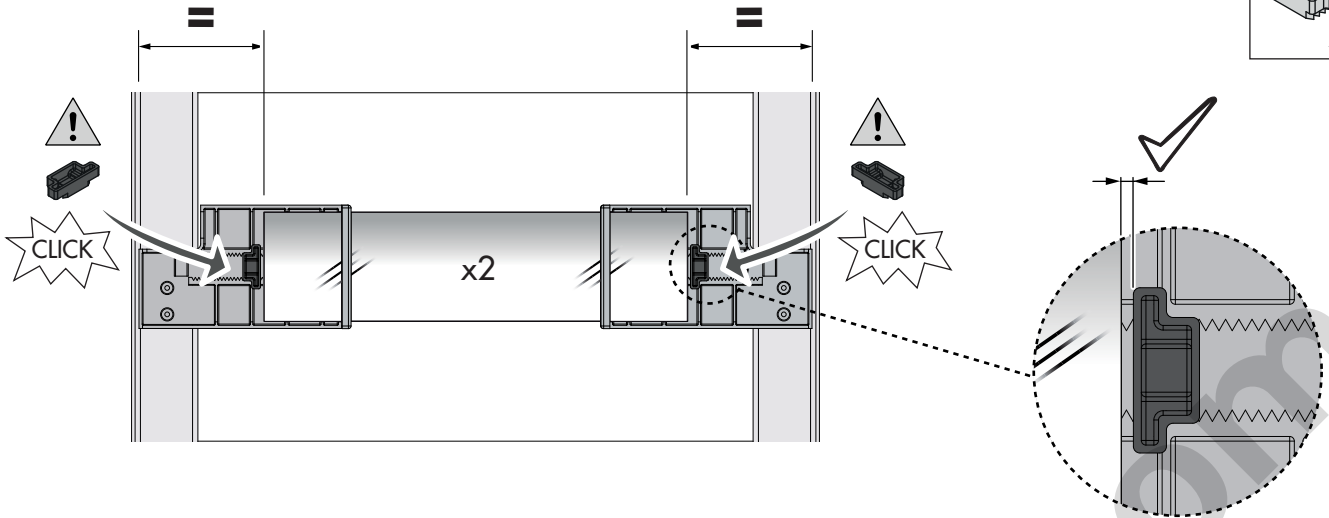
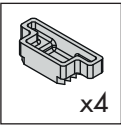
8



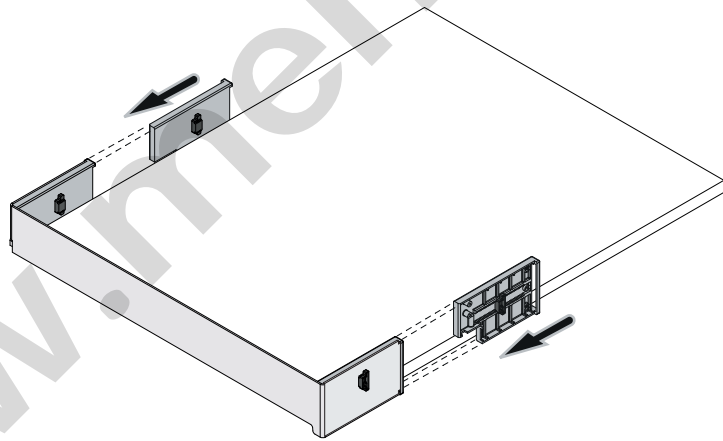
9



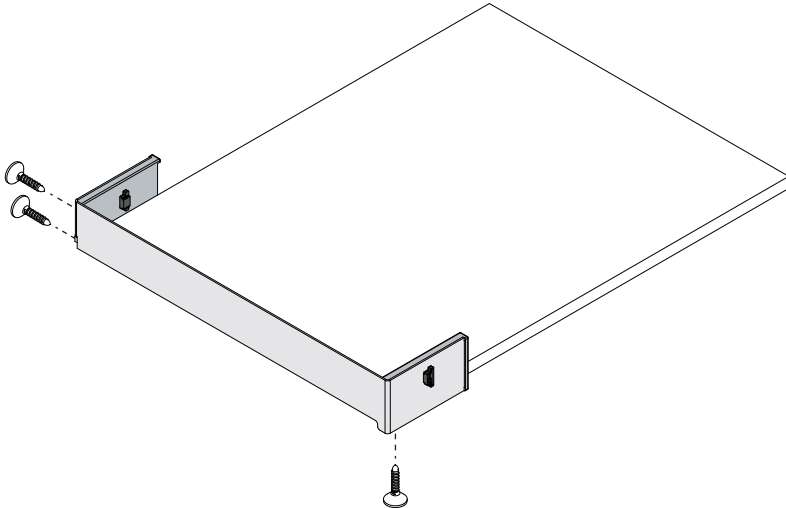
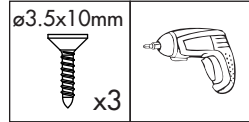
10



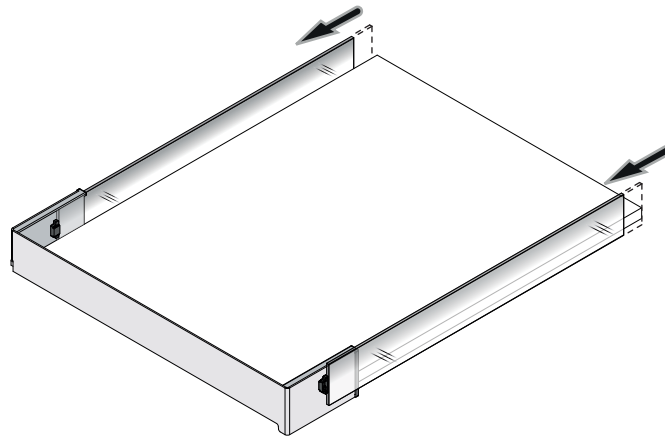
11



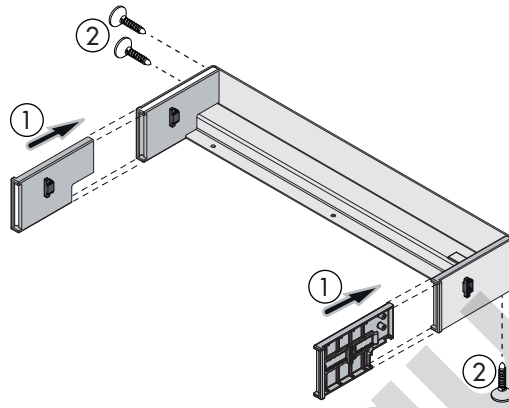
12



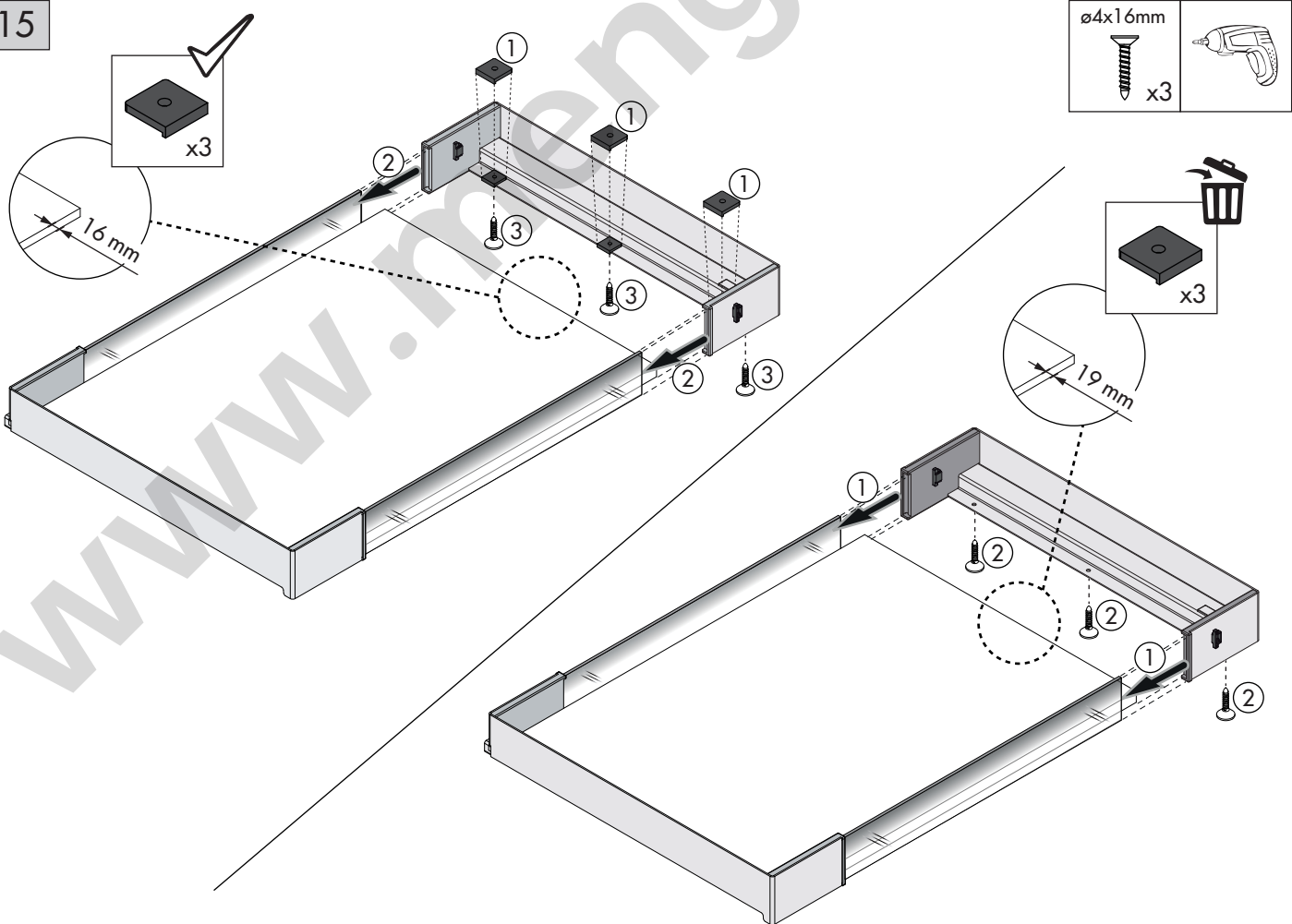
13

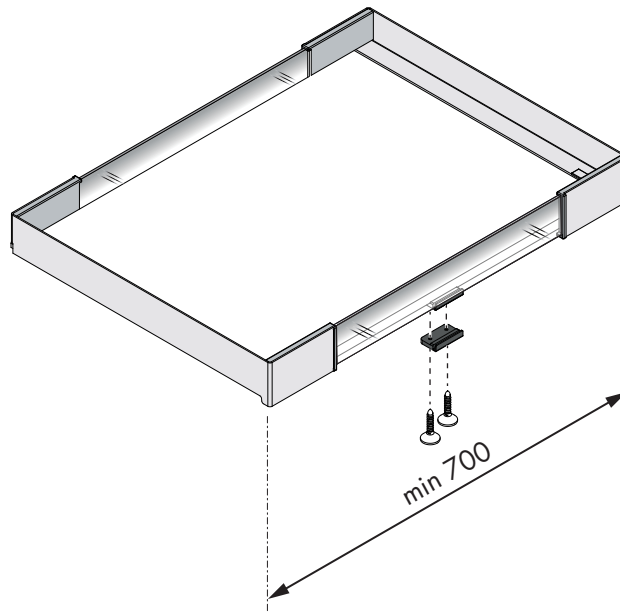
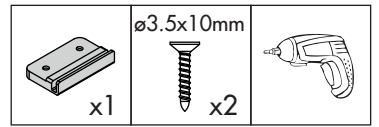


14

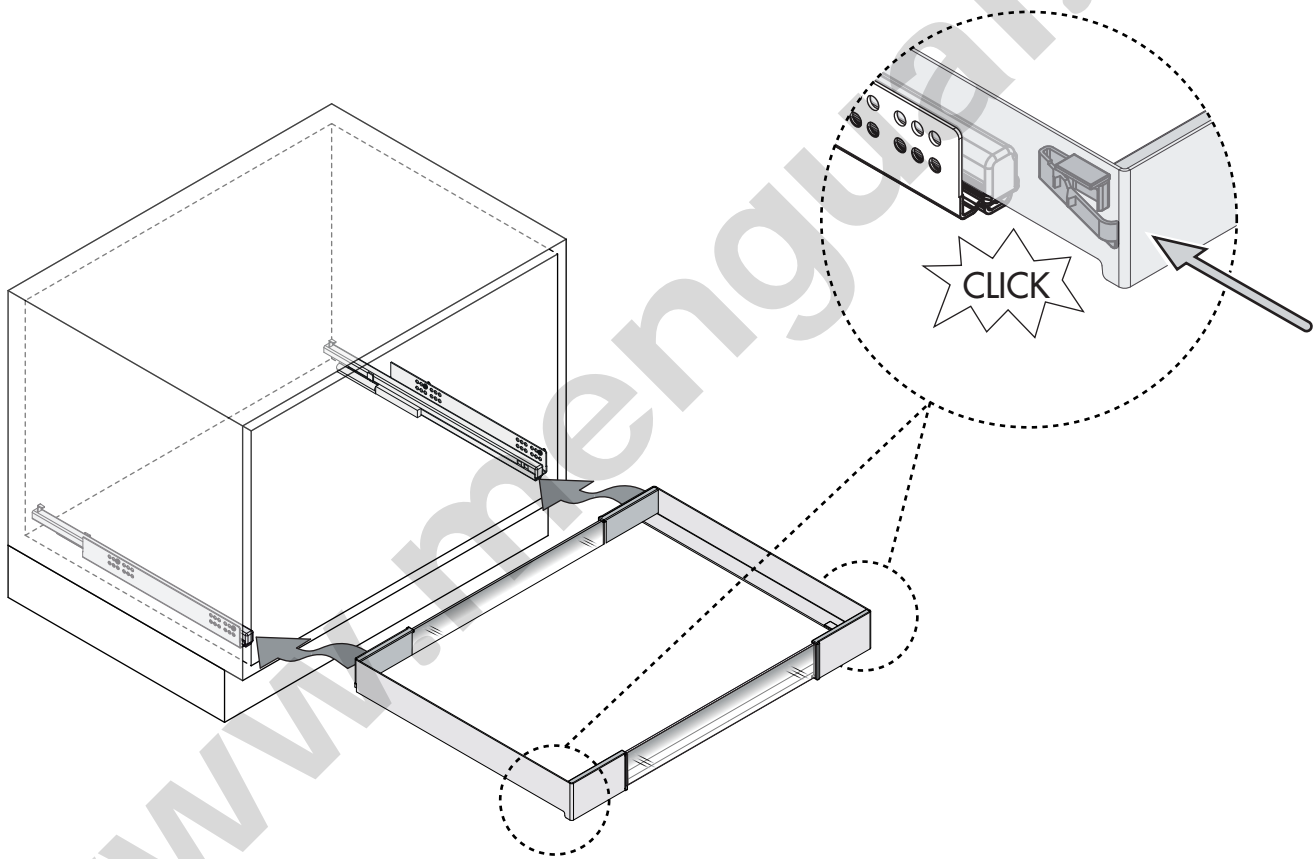


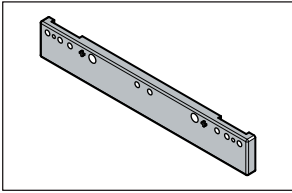
15



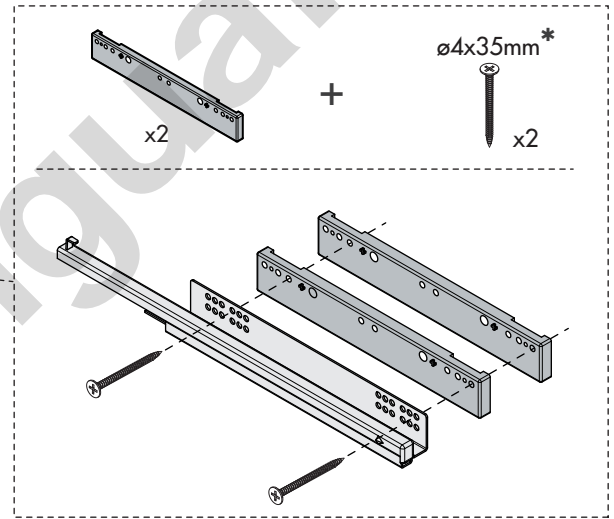
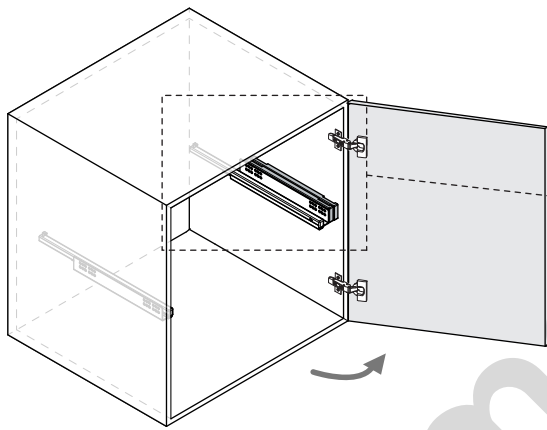
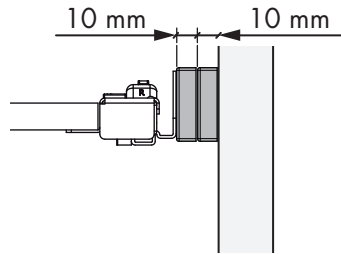


16





2



3

